



SLT

Aluminum

S E R I E S

INDUSTRIAL EVAPORATORS



Aluminum

Aluminum

ALUMINUM COIL

ENGINEERING MANUAL



IARW International Association of Refrigerated Warehouses

Member of
iiar
International Institute of Ammonia Refrigeration
www.iiar.org



ALUMINUM

SLT

EVAPORATORS

PRODUCT FEATURES

SLT Evaporators are available in three models each having a wide range of capacities and material options.

SLTM UNIT COOLERS

SLTM Models are designed for low, medium and high temperature applications. These models feature axial fans and many end user oriented features such as:

- One to Five Fan Models
- Capacities from 1.5 to 56 TR
- Hinged Fan Panels
- Sloped Top Panels
- Dual Sloped Full Coverage Drain Pans



SLTW WORKROOM UNITS

Low velocity air units for processing rooms. These models feature axial fans and many end user oriented features.

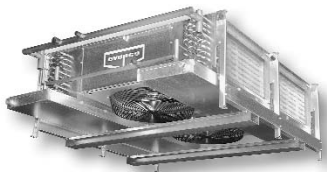
- One to Five Fan Models
- Capacities from 2 to 27 TR
- Hinged Access Panels
- Sloped Top Panels
- Dual Sloped Full Coverage Drain Pans



SLTD LOW PROFILE UNIT COOLERS

Dual coil models for low, medium and high temperature applications in rooms with low ceiling height requirements.

- One to Five Fan Models
- Capacities from 3 to 33 TR
- Hinged Fan Panels
- Dual Sloped Full Coverage Drain Pans



MATERIALS OF CONSTRUCTION

ALUMINUM COILS

SLT Evaporators are equipped as standard with Aluminum tubing and Aluminum fins.

The round tubing is fit into the Aluminum fin plate and expanded. The entire coil is then pressure tested to 400 psig. Lastly, the coil is evacuated and charged with low pressure Nitrogen prior to shipment.

The Aluminum tubes are available in 5/8" OD. Coils are built in 3, 4 and 6 fpi as standard. Variable fin spacing is available as an option.

CASING

SLTM Evaporators

Standard construction of the casing and drain pan is G-235 Hot Dip Galvanized Steel with an option for Type 304 Stainless Steel

SLTW Evaporators

Workroom units are manufactured with Type 304 Stainless Steel casing panels and pan cover. The fan motor base, inner pan and shipping/installation supports are constructed from G-235 Hot Dip Galvanized Steel with an option for Type 304 Stainless Steel.

SLTD Evaporators

Standard construction of the casing and drain pan is G-235 Hot Dip Galvanized Steel with an option for Type 304 Stainless Steel

OPTIONS

- Heavy Fin
- Defrost
 - Air
 - Hot Gas
 - Electric
 - Water
- Air Discharge Arrangements
 - Long Throw Adapters
 - 45° or 90° Downblow
- Alternate Materials of Construction
 - Stainless Steel Casing
 - Stainless Steel Inner and/or Outer Pan
 - Fully Welded Drain Pan

PERFORMANCE FACTORS

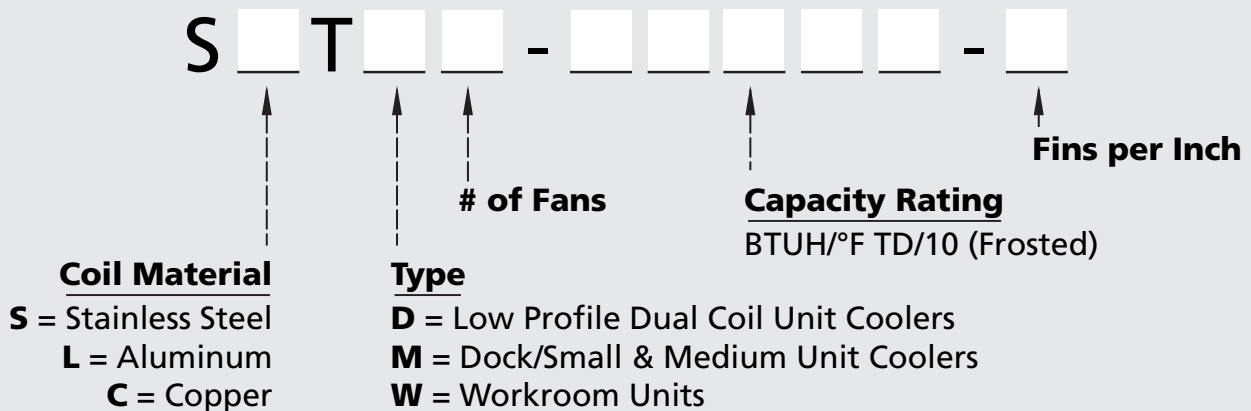
The capacity of SLT Evaporators is based on R717 refrigerant with either recirculated or flooded feed. The heat rejection capacity of SLT Evaporators must be adjusted for different refrigerants and feed conditions. Multiply the factors listed in the table below by the coil performance to obtain the new performance rating for the specific application. The factors vary based on refrigerant and coil temperature.

| REFRIGERANT - FEED | SUCTION TEMPERATURE | | | | | | | | |
|-------------------------------------|---------------------|------|------|------|------|-----------------|------|------|------|
| | +40 | +30 | +20 | +10 | 0 | -10 | -20 | -30 | -40 |
| R717 - DX | 0.81 | 0.81 | 0.80 | 0.80 | 0.80 | NOT RECOMMENDED | | | |
| R22 - Recirculated & Flooded | 0.95 | 0.95 | 0.95 | 0.93 | 0.92 | 0.91 | 0.90 | 0.88 | 0.87 |
| R22 -DX | 0.79 | 0.79 | 0.79 | 0.79 | 0.78 | 0.77 | 0.74 | 0.70 | 0.63 |
| R404A/R507 - Recirculated & Flooded | 1.00 | 1.00 | 1.00 | 1.00 | 1.00 | 1.00 | 1.00 | 1.00 | 1.00 |
| R404A/R507 - DX | 0.83 | 0.83 | 0.83 | 0.83 | 0.82 | 0.81 | 0.78 | 0.74 | 0.66 |
| R134a | CONSULT FACTORY | | | | | | | | |

EVAPCO does not recommend direct expansion applications for R717 below 0°F suction temperature.

NOMENCLATURE

The model number of ST Series Evaporators includes information about the product design and capacity. This Engineering Manual includes performance and technical data for SLT Evaporators which are constructed with Aluminum tubes and Aluminum Fins as standard.



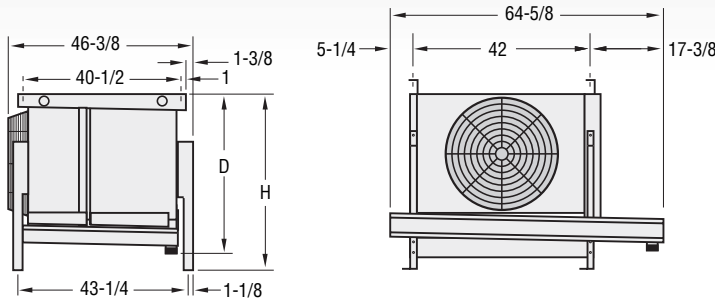


SLT

ALUMINUM

EVAPORATORS

Engineering Data



SLTM UNIT COOLERS — 1 FAN MODELS

| Model No. | 0" ESP | | | | 1/4" ESP | | | 1/2" ESP | | | Fan Data | | | | Coil Data | | Height | | Shipping Wt. (lbs.) | Electric Defrost (KW) | | | |
|---------------|---------------------|---------|---------------|----------------|---------------------|---------------|----------------|---------------------|---------------|----------------|----------|------|-----------|------|-----------|--------------|-----------------|--------|---------------------|-----------------------|-----------|--------|----------|
| | Capacity* (Btuh/TD) | | Airflow (CFM) | Velocity (FPM) | Capacity* (Btuh/TD) | Airflow (CFM) | Velocity (FPM) | Capacity* (Btuh/TD) | Airflow (CFM) | Velocity (FPM) | Motor Hp | RPM | Dia. dBA† | Rows | | Volume (ft³) | Dimension (in.) | D | | H | Room Temp | | |
| | Wet | Frosted | | | | | | | | | | | | Deep | fpi | | | | | | >or=-20°F | > +5°F | <or=+5°F |
| SLTM1-00179-3 | 1999 | 1793 | 3879 | 554 | 1405 | 2694 | 385 | - | - | - | 1/2 | 870 | 22 | 64 | 4 | 3 | 0.4 | 40-3/8 | 44-3/4 | 429 | 9.6 | 8.2 | 7.0 |
| SLTM1-00219-4 | 2450 | 2197 | 3802 | 543 | 1621 | 2636 | 377 | - | - | - | 1/2 | 870 | 22 | 64 | 4 | 4 | 0.4 | 40-3/8 | 44-3/4 | 439 | 9.6 | 8.2 | 7.0 |
| SLTM1-00221-3 | 2432 | 2211 | 3416 | 488 | 1786 | 2558 | 365 | - | - | - | 1/2 | 870 | 22 | 64 | 6 | 3 | 0.5 | 40-3/8 | 44-3/4 | 453 | 11.0 | 8.2 | 7.0 |
| SLTM1-00251-6 | 2801 | 2512 | 3640 | 520 | 2107 | 2584 | 369 | - | - | - | 1/2 | 870 | 22 | 64 | 4 | 6 | 0.4 | 40-3/8 | 44-3/4 | 458 | 9.6 | 8.2 | 7.0 |
| SLTM1-00266-3 | 2883 | 2657 | 3277 | 468 | - | - | - | - | - | - | 1/2 | 870 | 22 | 64 | 8 | 3 | 0.7 | 40-3/8 | 44-3/4 | 476 | 16.4 | 10.8 | 8.4 |
| SLTM1-00266-4 | 2931 | 2664 | 3345 | 478 | 1834 | 2486 | 355 | - | - | - | 1/2 | 870 | 22 | 64 | 6 | 4 | 0.5 | 40-3/8 | 44-3/4 | 467 | 11.0 | 8.2 | 7.0 |
| SLTM1-00275-3 | - | 2751 | 7695 | 1099 | 2627 | 7114 | 1016 | 2463 | 6386 | 912 | 2 | 1750 | 22 | 83 | 4 | 3 | 0.4 | 40-3/8 | 44-3/4 | 431 | 9.6 | 8.2 | 7.0 |
| SLTM1-00290-3 | - | 2899 | 5073 | 725 | 2490 | 3925 | 561 | 1924 | 2815 | 402 | 3/4 | 1160 | 22 | 72 | 6 | 3 | 0.5 | 40-3/8 | 44-3/4 | 437 | 11.0 | 8.2 | 7.0 |
| SLTM1-00296-3 | 3304 | 2963 | 6562 | 625 | 2450 | 5043 | 480 | - | - | - | 1/2 | 870 | 30 | 71 | 4 | 3 | 0.5 | 51-1/8 | 55-1/2 | 476 | 13.8 | 11.0 | 9.8 |
| SLTM1-00306-4 | 3320 | 3059 | 3212 | 459 | - | - | - | - | - | - | 1/2 | 870 | 22 | 64 | 8 | 4 | 0.7 | 40-3/8 | 44-3/4 | 495 | 16.4 | 10.8 | 8.4 |
| SLTM1-00315-3 | - | 3168 | 7480 | 712 | 2897 | 6502 | 619 | 2495 | 5180 | 493 | 3/4 | 1140 | 30 | 79 | 4 | 3 | 0.5 | 51-1/8 | 55-1/2 | 460 | 13.8 | 11.0 | 9.8 |
| SLTM1-00324-4 | 3620 | 3246 | 5833 | 625 | 2672 | 4418 | 473 | - | - | - | 1/2 | 870 | 30 | 71 | 4 | 4 | 0.5 | 48-3/8 | 52-3/4 | 478 | 12.4 | 9.6 | 8.4 |
| SLTM1-00337-4 | - | 3378 | 7597 | 1085 | 3217 | 6989 | 998 | 3000 | 6218 | 888 | 2 | 1750 | 22 | 83 | 4 | 4 | 0.4 | 40-3/8 | 44-3/4 | 441 | 9.6 | 8.2 | 7.0 |
| SLTM1-00342-4 | - | 3419 | 4898 | 700 | 2887 | 3811 | 544 | 2305 | 2782 | 397 | 3/4 | 1160 | 22 | 72 | 6 | 4 | 0.5 | 40-3/8 | 44-3/4 | 452 | 11.0 | 8.2 | 7.0 |
| SLTM1-00351-3 | - | 3515 | 9602 | 1029 | 3247 | 8404 | 900 | 2845 | 6781 | 726 | 1-1/2 | 1140 | 30 | 79 | 4 | 3 | 0.5 | 48-3/8 | 52-3/4 | 464 | 12.4 | 9.6 | 8.4 |
| SLTM1-00355-3 | 3901 | 3547 | 5833 | 625 | 2971 | 4437 | 475 | 2386 | 3338 | 358 | 1/2 | 870 | 30 | 71 | 6 | 3 | 0.7 | 48-3/8 | 52-3/4 | 497 | 13.8 | 9.6 | 8.4 |
| SLTM1-00361-4 | 4033 | 3617 | 6562 | 625 | 2982 | 4937 | 470 | - | - | - | 1/2 | 870 | 30 | 71 | 4 | 4 | 0.5 | 51-1/8 | 55-1/2 | 490 | 13.8 | 11.0 | 9.8 |
| SLTM1-00374-6 | 4173 | 3743 | 5708 | 612 | 3130 | 4223 | 452 | - | - | - | 1/2 | 870 | 30 | 71 | 4 | 6 | 0.5 | 48-3/8 | 52-3/4 | 504 | 12.4 | 9.6 | 8.4 |
| SLTM1-00381-4 | - | 3813 | 7676 | 822 | 3503 | 6684 | 716 | 3096 | 5515 | 591 | 1 | 1140 | 30 | 79 | 4 | 4 | 0.5 | 48-3/8 | 52-3/4 | 468 | 12.4 | 9.6 | 8.4 |
| SLTM1-00383-3 | 4210 | 3827 | 6186 | 589 | 3123 | 4737 | 451 | - | - | - | 1/2 | 870 | 30 | 71 | 6 | 3 | 0.8 | 51-1/8 | 55-1/2 | 511 | 15.2 | 11.0 | 9.8 |
| SLTM1-00384-3 | - | 3840 | 6708 | 719 | 3532 | 5944 | 637 | 3085 | 4841 | 519 | 3/4 | 1160 | 30 | 79 | 6 | 3 | 0.7 | 48-3/8 | 52-3/4 | 481 | 13.8 | 9.6 | 8.4 |
| SLTM1-00396-3 | - | 3961 | 7025 | 753 | 3353 | 5470 | 586 | 2635 | 3858 | 413 | 3/4 | 870 | 30 | 72 | 6 | 3 | 0.7 | 48-3/8 | 52-3/4 | 495 | 13.8 | 9.6 | 8.4 |
| SLTM1-00420-3 | 4557 | 4200 | 5629 | 603 | 3495 | 4291 | 460 | 2850 | 3304 | 354 | 1/2 | 870 | 30 | 71 | 8 | 3 | 1.0 | 48-3/8 | 52-3/4 | 528 | 15.2 | 11.0 | 9.8 |
| SLTM1-00422-4 | 4646 | 4224 | 5828 | 624 | 3478 | 4403 | 472 | 2497 | 3353 | 359 | 1/2 | 870 | 30 | 71 | 6 | 4 | 0.7 | 48-3/8 | 52-3/4 | 516 | 13.8 | 9.6 | 8.4 |
| SLTM1-00425-3 | - | 4252 | 7278 | 780 | 3480 | 5775 | 619 | 2789 | 4265 | 457 | 1 | 870 | 30 | 73 | 6 | 3 | 0.7 | 48-3/8 | 52-3/4 | 495 | 13.8 | 9.6 | 8.4 |
| SLTM1-00431-3 | - | 4312 | 7419 | 707 | 3593 | 5791 | 552 | 2809 | 3987 | 380 | 3/4 | 870 | 30 | 72 | 6 | 3 | 0.8 | 51-1/8 | 55-1/2 | 510 | 15.2 | 11.0 | 9.8 |
| SLTM1-00435-3 | 4782 | 4348 | 6629 | 473 | 3729 | 5230 | 374 | - | - | - | 1/2 | 870 | 30 | 71 | 6 | 3 | 1.1 | 63-1/8 | 67-1/2 | 577 | 18.0 | 13.8 | 12.6 |
| SLTM1-00438-3 | - | 4381 | 7693 | 733 | 3747 | 6095 | 580 | 2980 | 4375 | 417 | 1 | 870 | 30 | 73 | 6 | 3 | 0.8 | 51-1/8 | 55-1/2 | 510 | 15.2 | 11.0 | 9.8 |
| SLTM1-00450-4 | 4949 | 4499 | 6033 | 575 | 3763 | 4609 | 439 | - | - | - | 1/2 | 870 | 30 | 71 | 6 | 4 | 0.8 | 51-1/8 | 55-1/2 | 533 | 15.2 | 11.0 | 9.8 |
| SLTM1-00456-3 | 4942 | 4555 | 5901 | 562 | 3656 | 4475 | 426 | - | - | - | 1/2 | 870 | 30 | 71 | 8 | 3 | 1.1 | 51-1/8 | 55-1/2 | 547 | 16.6 | 12.4 | 11.2 |
| SLTM1-00461-3 | - | 4610 | 8942 | 958 | 4175 | 7682 | 823 | 3670 | 6260 | 671 | 1-1/2 | 1160 | 30 | 79 | 6 | 3 | 0.7 | 48-3/8 | 52-3/4 | 496 | 13.8 | 9.6 | 8.4 |
| SLTM1-00472-4 | - | 4716 | 6844 | 733 | 3968 | 5306 | 568 | 3114 | 3824 | 410 | 3/4 | 870 | 30 | 72 | 6 | 4 | 0.7 | 48-3/8 | 52-3/4 | 514 | 13.8 | 9.6 | 8.4 |
| SLTM1-00473-3 | - | 4730 | 6577 | 705 | 3929 | 5105 | 547 | 3141 | 3748 | 402 | 3/4 | 870 | 30 | 72 | 8 | 3 | 1.0 | 48-3/8 | 52-3/4 | 527 | 15.2 | 11.0 | 9.8 |
| SLTM1-00474-3 | - | 4737 | 6773 | 726 | 4019 | 5311 | 569 | 3346 | 4086 | 438 | 1 | 870 | 30 | 73 | 8 | 3 | 1.0 | 48-3/8 | 52-3/4 | 527 | 15.2 | 11.0 | 9.8 |
| SLTM1-00482-4 | - | 4818 | 7022 | 752 | 4109 | 5589 | 599 | 3390 | 4192 | 449 | 1 | 870 | 30 | 73 | 6 | 4 | 0.7 | 48-3/8 | 52-3/4 | 514 | 13.8 | 9.6 | 8.4 |
| SLTM1-00483-3 | - | 4827 | 6858 | 735 | 4430 | 6153 | 659 | 3916 | 5112 | 548 | 1 | 1160 | 30 | 79 | 8 | 3 | 1.0 | 48-3/8 | 52-3/4 | 518 | 15.2 | 11.0 | 9.8 |
| SLTM1-00489-3 | - | 4885 | 9683 | 1037 | 4429 | 8360 | 896 | 3930 | 6962 | 746 | 2 | 1160 | 30 | 79 | 6 | 3 | 0.7 | 48-3/8 | 52-3/4 | 519 | 13.8 | 9.6 | 8.4 |
| SLTM1-00490-4 | 5320 | 4904 | 5511 | 590 | 4070 | 4188 | 449 | - | - | - | 1/2 | 870 | 30 | 71 | 8 | 4 | 1.0 | 48-3/8 | 52-3/4 | 554 | 15.2 | 11.0 | 9.8 |
| SLTM1-00495-3 | - | 4951 | 9357 | 891 | 4521 | 8151 | 776 | 3951 | 6588 | 627 | 1-1/2 | 1160 | 30 | 79 | 6 | 3 | 0.8 | 51-1/8 | 55-1/2 | 510 | 15.2 | 11.0 | 9.8 |
| SLTM1-00510-4 | - | 5103 | 7291 | 694 | 4742 | 6565 | 625 | 4190 | 5412 | 515 | 1 | 1160 | 30 | 79 | 6 | 4 | 0.8 | 51-1/8 | 55-1/2 | 523 | 15.2 | 11.0 | 9.8 |
| SLTM1-00510-3 | 5614 | 5104 | 8379 | 599 | 4481 | 6950 | 496 | - | - | - | 1 | 870 | 30 | 73 | 6 | 3 | 1.1 | 63-1/8 | 67-1/2 | 576 | 18.0 | 13.8 | 12.6 |
| SLTM1-00512-4 | - | 5124 | 7213 | 687 | 4333 | 5609 | 534 | 2820 | 3917 | 373 | 3/4 | 870 | 30 | 72 | 6 | 4 | 0.8 | 51-1/8 | 55-1/2 | 531 | 15.2 | 11.0 | 9.8 |
| SLTM1-00515-6 | 5672 | 5157 | 5971 | 569 | 4328 | 4400 | 419 | - | - | - | 1/2 | 870 | 30 | 71 | 6 | 6 | 0.8 | 51-1/8 | 55-1/2 | 576 | 15.2 | 11.0 | 9.8 |
| SLTM1-00517-4 | 5685 | 5168 | 6506 | 465 | 3755 | 5112 | 365 | - | - | - | 1/2 | 870 | 30 | 71 | 6 | 4 | 1.1 | 63-1/8 | 67-1/2 | 606 | 18.0 | 13.8 | 12.6 |
| SLTM1-00518-3 | 5618 | 5178 | 6397 | 457 | 4356 | 4990 | 356 | - | - | - | 1/2 | 870 | 30 | 71 | 8 | 3 | 1.4 | 63-1/8 | 67-1/2 | 624 | 20.8 | 15.2 | 14.0 |

* Capacity based on R717 refrigerant with either recirculated or flooded feed.

† Sound ratings are based on 6 feet from the unit and under free field conditions.

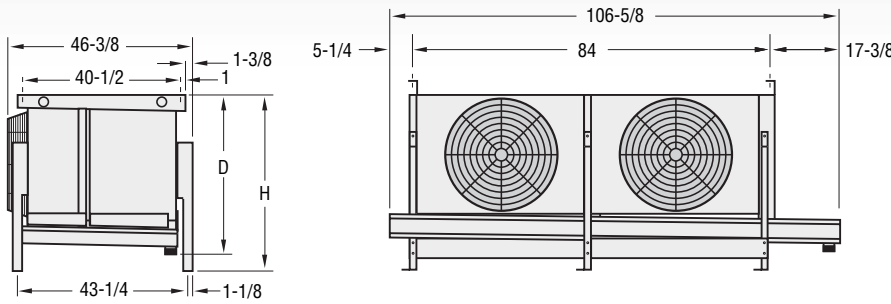


SLT

ALUMINUM

EVAPORATORS

Engineering Data



SLTM UNIT COOLERS — 2 FAN MODELS

| Model No. | 0" ESP | | | 1/4" ESP | | | 1/2" ESP | | | Fan Data | | | | Coil Data | | | Height | | Shipping Wt. (lbs.) | Electric Defrost (KW) | | | |
|---------------|---------------------|---------|---------------|----------------|---------------------|---------|---------------|----------------|---------------------|----------|---------------|----------------|----------|-----------|-----------|------|--------|--------------|---------------------|------------------------|-----------|--------|---------|
| | Capacity* (Btuh/TD) | | Airflow (CFM) | Velocity (FPM) | Capacity* (Btuh/TD) | | Airflow (CFM) | Velocity (FPM) | Capacity* (Btuh/TD) | | Airflow (CFM) | Velocity (FPM) | Motor Hp | RPM | Dia. dBA† | Rows | | Volume (ft³) | | Dimension (in.) D H | Room Temp | | |
| | Wet | Frosted | | | Frosted | Frosted | | | Frosted | Frosted | | | | | | Deep | fpi | | | | >or=-20°F | > +5°F | > +33°F |
| SLTM2-00354-3 | 3950 | 3543 | 7599 | 543 | 2779 | 5293 | 378 | - | - | - | 1/2 | 870 | 22 | 67 | 4 | 3 | 0.7 | 41-1/4 | 44-3/4 | 728 | 17.3 | 14.8 | 12.8 |
| SLTM2-00434-4 | 4842 | 4343 | 7467 | 533 | 3214 | 5188 | 371 | - | - | - | 1/2 | 870 | 22 | 67 | 4 | 4 | 0.7 | 41-1/4 | 44-3/4 | 747 | 17.3 | 14.8 | 12.8 |
| SLTM2-00450-3 | 4948 | 4498 | 6992 | 499 | 3605 | 5024 | 359 | - | - | - | 1/2 | 870 | 22 | 67 | 6 | 3 | 1.0 | 41-1/4 | 44-3/4 | 773 | 19.9 | 14.8 | 12.8 |
| SLTM2-00498-6 | 5560 | 4986 | 7208 | 515 | 4181 | 5076 | 363 | - | - | - | 1/2 | 870 | 22 | 67 | 4 | 6 | 0.7 | 41-1/4 | 44-3/4 | 786 | 17.3 | 14.8 | 12.8 |
| SLTM2-00533-3 | 5780 | 5327 | 6660 | 476 | - | - | - | - | - | - | 1/2 | 870 | 22 | 67 | 8 | 3 | 1.4 | 41-1/4 | 44-3/4 | 818 | 22.4 | 14.8 | 12.8 |
| SLTM2-00536-4 | 5899 | 5363 | 6862 | 490 | 3685 | 4900 | 350 | - | - | - | 1/2 | 870 | 22 | 67 | 6 | 4 | 1.0 | 41-1/4 | 44-3/4 | 802 | 19.9 | 14.8 | 12.8 |
| SLTM2-00549-3 | - | 5498 | 15351 | 1096 | 5252 | 14202 | 1014 | 4926 | 12760 | 911 | 2 | 1750 | 22 | 86 | 4 | 3 | 0.7 | 41-1/4 | 44-3/4 | 732 | 17.3 | 14.8 | 12.8 |
| SLTM2-00582-3 | 6493 | 5823 | 13105 | 624 | 4869 | 9961 | 474 | - | - | - | 1/2 | 870 | 30 | 74 | 4 | 3 | 1.0 | 52 | 55-1/2 | 807 | 25.0 | 19.9 | 17.9 |
| SLTM2-00588-3 | - | 5884 | 10203 | 729 | 4923 | 7957 | 568 | 3777 | 5459 | 390 | 3/4 | 1160 | 22 | 75 | 6 | 3 | 1.0 | 41-1/4 | 44-3/4 | 742 | 19.9 | 14.8 | 12.8 |
| SLTM2-00625-4 | 6779 | 6248 | 6509 | 465 | - | - | - | - | - | - | 1/2 | 870 | 22 | 67 | 8 | 4 | 1.4 | 41-1/4 | 44-3/4 | 776 | 22.4 | 14.8 | 12.8 |
| SLTM2-00625-3 | - | 6252 | 14647 | 697 | 5707 | 12657 | 603 | 4887 | 10015 | 477 | 3/4 | 1140 | 30 | 82 | 4 | 3 | 1.0 | 52 | 55-1/2 | 856 | 25.0 | 19.9 | 17.9 |
| SLTM2-00639-4 | 7132 | 6397 | 11572 | 620 | 5285 | 8699 | 466 | - | - | - | 1/2 | 870 | 30 | 74 | 4 | 4 | 0.9 | 49-1/4 | 52-3/4 | 815 | 22.4 | 17.3 | 15.4 |
| SLTM2-00675-4 | - | 6757 | 15158 | 1083 | 6421 | 13952 | 997 | 5989 | 12421 | 887 | 2 | 1750 | 22 | 86 | 4 | 4 | 0.7 | 41-1/4 | 44-3/4 | 752 | 17.3 | 14.8 | 12.8 |
| SLTM2-00691-4 | - | 6906 | 9906 | 708 | 5905 | 7655 | 547 | 3811 | 5374 | 384 | 3/4 | 1160 | 22 | 75 | 6 | 4 | 1.0 | 41-1/4 | 44-3/4 | 771 | 19.9 | 14.8 | 12.8 |
| SLTM2-00706-3 | - | 7063 | 19184 | 1028 | 6505 | 16795 | 900 | 5712 | 13546 | 726 | 1-1/2 | 1140 | 30 | 82 | 4 | 3 | 0.9 | 49-1/4 | 52-3/4 | 788 | 22.4 | 17.3 | 15.4 |
| SLTM2-00716-4 | 7990 | 7166 | 12924 | 615 | 5958 | 9800 | 467 | - | - | - | 1/2 | 870 | 30 | 74 | 4 | 4 | 1.0 | 52 | 55-1/2 | 836 | 25.0 | 19.9 | 17.9 |
| SLTM2-00722-3 | 7942 | 7220 | 11667 | 625 | 5780 | 8667 | 464 | - | - | - | 1/2 | 870 | 30 | 74 | 6 | 3 | 1.4 | 49-1/4 | 52-3/4 | 850 | 25.0 | 17.3 | 15.4 |
| SLTM2-00742-6 | 8276 | 7422 | 11179 | 599 | 6223 | 8349 | 447 | - | - | - | 1/2 | 870 | 30 | 74 | 4 | 6 | 0.9 | 49-1/4 | 52-3/4 | 867 | 22.4 | 17.3 | 15.4 |
| SLTM2-00755-4 | - | 7556 | 15048 | 806 | 6917 | 13067 | 700 | 6080 | 10710 | 574 | 1 | 1140 | 30 | 82 | 4 | 4 | 0.9 | 49-1/4 | 52-3/4 | 796 | 22.4 | 17.3 | 15.4 |
| SLTM2-00760-3 | 8355 | 7595 | 12459 | 593 | 6349 | 9344 | 445 | - | - | - | 1/2 | 870 | 30 | 74 | 6 | 3 | 1.6 | 52 | 55-1/2 | 874 | 27.6 | 19.9 | 17.9 |
| SLTM2-00773-3 | - | 7734 | 13538 | 725 | 7061 | 11807 | 633 | 6117 | 9575 | 513 | 3/4 | 1160 | 30 | 82 | 6 | 3 | 1.4 | 49-1/4 | 52-3/4 | 819 | 25.0 | 17.3 | 15.4 |
| SLTM2-00803-3 | - | 8030 | 14150 | 758 | 6734 | 10963 | 587 | 5161 | 7611 | 408 | 3/4 | 870 | 30 | 75 | 6 | 3 | 1.4 | 49-1/4 | 52-3/4 | 847 | 25.0 | 17.3 | 15.4 |
| SLTM2-00820-3 | - | 8200 | 14651 | 785 | 6910 | 11463 | 614 | 5568 | 8355 | 448 | 1 | 870 | 30 | 76 | 6 | 3 | 1.4 | 49-1/4 | 52-3/4 | 847 | 25.0 | 17.3 | 15.4 |
| SLTM2-00846-3 | 9181 | 8462 | 11372 | 609 | 6927 | 8466 | 454 | - | - | - | 1/2 | 870 | 30 | 74 | 8 | 3 | 1.9 | 49-1/4 | 52-3/4 | 910 | 27.6 | 19.9 | 17.9 |
| SLTM2-00849-4 | 9340 | 8491 | 11667 | 625 | 6987 | 8624 | 462 | - | - | - | 1/2 | 870 | 30 | 74 | 6 | 4 | 1.4 | 49-1/4 | 52-3/4 | 888 | 25.0 | 17.3 | 15.4 |
| SLTM2-00859-3 | - | 8585 | 14912 | 710 | 7249 | 11670 | 556 | 5484 | 7782 | 371 | 3/4 | 870 | 30 | 75 | 6 | 3 | 1.6 | 52 | 55-1/2 | 872 | 27.6 | 19.9 | 17.9 |
| SLTM2-00870-3 | 9573 | 8702 | 13357 | 477 | 7335 | 10316 | 368 | - | - | - | 1/2 | 870 | 30 | 74 | 6 | 3 | 2.1 | 64 | 67-1/2 | 990 | 32.7 | 25.0 | 23.0 |
| SLTM2-00878-3 | - | 8780 | 15446 | 736 | 7585 | 12195 | 581 | 5883 | 8611 | 410 | 1 | 870 | 30 | 76 | 6 | 3 | 1.6 | 52 | 55-1/2 | 872 | 27.6 | 19.9 | 17.9 |
| SLTM2-00919-4 | 10107 | 9188 | 12236 | 583 | 7395 | 9144 | 435 | - | - | - | 1/2 | 870 | 30 | 74 | 6 | 4 | 1.6 | 52 | 55-1/2 | 918 | 27.6 | 19.9 | 17.9 |
| SLTM2-00921-3 | - | 9213 | 17891 | 958 | 8298 | 15374 | 824 | 7328 | 12507 | 670 | 1-1/2 | 1160 | 30 | 82 | 6 | 3 | 1.4 | 49-1/4 | 52-3/4 | 848 | 25.0 | 17.3 | 15.4 |
| SLTM2-00944-3 | 10244 | 9441 | 11911 | 567 | 7293 | 8838 | 421 | - | - | - | 1/2 | 870 | 30 | 74 | 8 | 3 | 2.1 | 52 | 55-1/2 | 942 | 30.1 | 22.4 | 20.5 |
| SLTM2-00955-4 | - | 9545 | 13779 | 738 | 7850 | 10631 | 570 | 6172 | 7467 | 400 | 3/4 | 870 | 30 | 75 | 6 | 4 | 1.4 | 49-1/4 | 52-3/4 | 885 | 25.0 | 17.3 | 15.4 |
| SLTM2-00956-3 | - | 9560 | 13333 | 714 | 7861 | 10243 | 549 | 6194 | 7359 | 394 | 3/4 | 870 | 30 | 75 | 8 | 3 | 1.9 | 49-1/4 | 52-3/4 | 907 | 27.6 | 19.9 | 17.9 |
| SLTM2-00963-4 | - | 9630 | 14131 | 757 | 8117 | 11068 | 593 | 6779 | 8241 | 441 | 1 | 870 | 30 | 76 | 6 | 4 | 1.4 | 49-1/4 | 52-3/4 | 885 | 25.0 | 17.3 | 15.4 |
| SLTM2-00968-3 | - | 9677 | 13603 | 729 | 8086 | 10626 | 569 | 6721 | 8057 | 432 | 1 | 870 | 30 | 76 | 8 | 3 | 1.9 | 49-1/4 | 52-3/4 | 907 | 27.6 | 19.9 | 17.9 |
| SLTM2-00970-3 | - | 9699 | 13828 | 741 | 8806 | 12191 | 653 | 7727 | 10098 | 541 | 1 | 1160 | 30 | 82 | 8 | 3 | 1.9 | 49-1/4 | 52-3/4 | 891 | 27.6 | 19.9 | 17.9 |
| SLTM2-00971-3 | - | 9705 | 19381 | 1038 | 8849 | 16729 | 896 | 7881 | 13911 | 745 | 2 | 1160 | 30 | 82 | 6 | 3 | 1.4 | 49-1/4 | 52-3/4 | 895 | 25.0 | 17.3 | 15.4 |
| SLTM2-00980-4 | 10638 | 9804 | 11016 | 590 | 8037 | 8266 | 443 | - | - | - | 1/2 | 870 | 30 | 74 | 8 | 4 | 1.9 | 49-1/4 | 52-3/4 | 961 | 27.6 | 19.9 | 17.9 |
| SLTM2-00993-3 | - | 9933 | 18727 | 892 | 9081 | 16290 | 776 | 7980 | 13176 | 627 | 1-1/2 | 1160 | 30 | 82 | 6 | 3 | 1.6 | 52 | 55-1/2 | 872 | 27.6 | 19.9 | 17.9 |
| SLTM2-01020-4 | - | 10195 | 14503 | 691 | 8658 | 11253 | 536 | 5592 | 7707 | 367 | 3/4 | 870 | 30 | 75 | 6 | 4 | 1.6 | 52 | 55-1/2 | 915 | 27.6 | 19.9 | 17.9 |
| SLTM2-01025-3 | 11278 | 10253 | 16877 | 603 | 9016 | 13735 | 491 | - | - | - | 1 | 870 | 30 | 76 | 6 | 3 | 2.1 | 64 | 67-1/2 | 987 | 32.7 | 25.0 | 23.0 |
| SLTM2-01026-6 | 11296 | 10269 | 11747 | 559 | 8666 | 8765 | 417 | - | - | - | 1/2 | 870 | 30 | 74 | 6 | 6 | 1.6 | 52 | 55-1/2 | 1004 | 27.6 | 19.9 | 17.9 |
| SLTM2-01027-4 | - | 10269 | 14713 | 701 | 9449 | 13017 | 620 | 8271 | 10723 | 511 | 1 | 1160 | 30 | 82 | 6 | 4 | 1.6 | 52 | 55-1/2 | 899 | 27.6 | 19.9 | 17.9 |
| SLTM2-01042-3 | 11310 | 10424 | 12946 | 462 | 8662 | 9864 | 352 | - | - | - | 1/2 | 870 | 30 | 74 | 8 | 3 | 2.8 | 64 | 67-1/2 | 1080 | 37.8 | 27.6 | 25.6 |
| SLTM2-01044-4 | 11481 | 10437 | 13189 | 471 | 7473 | 10105 | 361 | - | - | - | 1/2 | 870 | 30 | 74 | 6 | 4 | 2.1 | 64 | 67-1/2 | 1048 | 32.7 | 25.0 | 23.0 |

* Capacity based on R717 refrigerant with either recirculated or flooded feed.

† Sound ratings are based on 6 feet from the unit and under free field conditions.

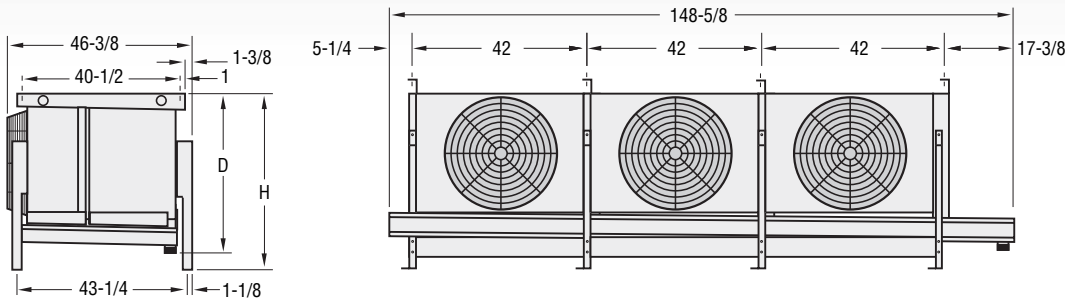


SLT

ALUMINUM

EVAPORATORS

Engineering Data



SLTM UNIT COOLERS — 3 FAN MODELS

| Model No. | 0" ESP | | | 1/4" ESP | | | 1/2" ESP | | | Fan Data | | | | Coil Data | | Height | | Shipping Wt. (lbs.) | Electric Defrost (KW) | | | | |
|---------------|---------------------|---------|---------------|----------------|---------------------|---------|---------------|----------------|---------------------|----------|---------------|----------------|----------|-----------|------|--------------|-----|---------------------|-----------------------|-----------|------|------|------|
| | Capacity* (Btuh/TD) | | Airflow (CFM) | Velocity (FPM) | Capacity* (Btuh/TD) | | Airflow (CFM) | Velocity (FPM) | Capacity* (Btuh/TD) | | Airflow (CFM) | Velocity (FPM) | Fan Data | | Rows | Volume (ft³) | D | | H | Room Temp | | | |
| | Wet | Frosted | | | Frosted | Frosted | | | Frosted | Frosted | | | Motor Hp | RPM | | | | | | Dia. | dBA† | Deep | fpi |
| SLTM3-00523-3 | 5843 | 5240 | 11114 | 529 | 4143 | 7872 | 375 | - | - | - | 1/2 | 870 | 22 | 69 | 4 | 3 | 1.0 | 42-1/8 | 44-3/4 | 1028 | 25.2 | 21.4 | 18.7 |
| SLTM3-00642-4 | 7164 | 6425 | 10958 | 522 | 4804 | 7726 | 368 | - | - | - | 1/2 | 870 | 22 | 69 | 4 | 4 | 1.0 | 42-1/8 | 44-3/4 | 1057 | 25.2 | 21.4 | 18.7 |
| SLTM3-00679-3 | 7471 | 6792 | 10523 | 501 | 5250 | 7429 | 354 | - | - | - | 1/2 | 870 | 22 | 69 | 6 | 3 | 1.5 | 42-1/8 | 44-3/4 | 1095 | 28.9 | 21.4 | 18.7 |
| SLTM3-00745-6 | 8309 | 7452 | 10589 | 504 | 6273 | 7567 | 360 | - | - | - | 1/2 | 870 | 22 | 69 | 4 | 6 | 1.0 | 42-1/8 | 44-3/4 | 1115 | 25.2 | 21.4 | 18.7 |
| SLTM3-00804-3 | 8723 | 8039 | 10088 | 480 | - | - | - | - | - | - | 1/2 | 870 | 22 | 69 | 8 | 3 | 2.1 | 42-1/8 | 44-3/4 | 1161 | 32.6 | 21.4 | 18.7 |
| SLTM3-00806-4 | 8870 | 8064 | 10310 | 491 | - | - | - | - | - | - | 1/2 | 870 | 22 | 69 | 6 | 4 | 1.5 | 42-1/8 | 44-3/4 | 1138 | 28.9 | 21.4 | 18.7 |
| SLTM3-00826-3 | - | 8263 | 23035 | 1097 | 7884 | 21307 | 1015 | 7398 | 19143 | 912 | 2 | 1750 | 22 | 88 | 4 | 3 | 1.0 | 42-1/8 | 44-3/4 | 1035 | 25.2 | 21.4 | 18.7 |
| SLTM3-00876-3 | 9777 | 8768 | 19687 | 625 | 7227 | 14741 | 468 | - | - | - | 1/2 | 870 | 30 | 76 | 4 | 3 | 1.5 | 52-7/8 | 55-1/2 | 1140 | 36.4 | 28.9 | 26.2 |
| SLTM3-00884-3 | - | 8838 | 15377 | 732 | 7400 | 11944 | 569 | 5688 | 8100 | 386 | 3/4 | 1160 | 22 | 77 | 6 | 3 | 1.5 | 42-1/8 | 44-3/4 | 1049 | 28.9 | 21.4 | 18.7 |
| SLTM3-00931-4 | 10096 | 9305 | 9810 | 467 | - | - | - | - | - | - | 1/2 | 870 | 22 | 69 | 8 | 4 | 1.5 | 42-1/8 | 44-3/4 | 1219 | 32.6 | 21.4 | 18.7 |
| SLTM3-00942-3 | - | 9423 | 22019 | 699 | 8584 | 19056 | 605 | 7343 | 15035 | 477 | 3/4 | 1140 | 30 | 84 | 4 | 3 | 1.5 | 52-7/8 | 55-1/2 | 1094 | 36.4 | 28.9 | 26.2 |
| SLTM3-00960-4 | 10711 | 9606 | 17365 | 620 | 7868 | 12864 | 459 | - | - | - | 1/2 | 870 | 30 | 75 | 4 | 4 | 1.4 | 50-1/8 | 52-3/4 | 1154 | 32.6 | 25.2 | 22.4 |
| SLTM3-01013-4 | - | 10136 | 22747 | 1083 | 9656 | 20934 | 997 | 9018 | 18636 | 887 | 2 | 1750 | 22 | 88 | 4 | 4 | 1.0 | 42-1/8 | 44-3/4 | 1064 | 25.2 | 21.4 | 18.7 |
| SLTM3-01036-4 | - | 10360 | 14937 | 711 | 8805 | 11507 | 548 | 5597 | 7986 | 380 | 3/4 | 1160 | 22 | 77 | 6 | 4 | 1.5 | 42-1/8 | 44-3/4 | 1092 | 28.9 | 21.4 | 18.7 |
| SLTM3-01058-3 | - | 10586 | 28781 | 1028 | 9777 | 25196 | 900 | 8570 | 20322 | 726 | 1-1/2 | 1140 | 30 | 83 | 4 | 3 | 1.4 | 50-1/8 | 52-3/4 | 1113 | 32.6 | 25.2 | 22.4 |
| SLTM3-01072-3 | 11794 | 10722 | 17500 | 625 | 8822 | 12935 | 462 | - | - | - | 1/2 | 870 | 30 | 76 | 6 | 3 | 2.1 | 50-1/8 | 52-3/4 | 1205 | 36.4 | 25.2 | 22.4 |
| SLTM3-01075-4 | 11990 | 10753 | 19419 | 616 | 8846 | 14463 | 459 | - | - | - | 1/2 | 870 | 30 | 76 | 4 | 4 | 1.5 | 52-7/8 | 55-1/2 | 1183 | 36.4 | 28.9 | 26.2 |
| SLTM3-01113-6 | 12423 | 11147 | 16813 | 600 | 9284 | 12328 | 440 | - | - | - | 1/2 | 870 | 30 | 75 | 4 | 6 | 1.4 | 50-1/8 | 52-3/4 | 1232 | 32.6 | 25.2 | 22.4 |
| SLTM3-01132-4 | - | 11322 | 22622 | 808 | 10382 | 19635 | 701 | 9143 | 16119 | 576 | 1 | 1140 | 30 | 84 | 4 | 4 | 1.4 | 50-1/8 | 52-3/4 | 1126 | 32.6 | 25.2 | 22.4 |
| SLTM3-01144-3 | 12579 | 11435 | 18780 | 596 | 9502 | 14018 | 445 | - | - | - | 1/2 | 870 | 30 | 76 | 6 | 3 | 2.3 | 52-7/8 | 55-1/2 | 1239 | 40.1 | 28.9 | 26.2 |
| SLTM3-01161-3 | - | 11610 | 20376 | 728 | 10546 | 17634 | 630 | 9117 | 14261 | 509 | 3/4 | 1160 | 30 | 84 | 6 | 3 | 2.1 | 50-1/8 | 52-3/4 | 1159 | 36.4 | 25.2 | 22.4 |
| SLTM3-01197-3 | - | 11967 | 21304 | 761 | 10028 | 16469 | 588 | 7773 | 11334 | 405 | 3/4 | 870 | 30 | 77 | 6 | 3 | 2.1 | 50-1/8 | 52-3/4 | 1201 | 36.4 | 25.2 | 22.4 |
| SLTM3-01230-3 | - | 12299 | 21977 | 785 | 10360 | 17189 | 614 | 8228 | 12503 | 447 | 1 | 870 | 30 | 77 | 6 | 3 | 2.1 | 50-1/8 | 52-3/4 | 1201 | 36.4 | 25.2 | 22.4 |
| SLTM3-01270-4 | 13969 | 12699 | 17504 | 625 | 10851 | 13706 | 490 | - | - | - | 1/2 | 1160 | 30 | 84 | 6 | 4 | 2.1 | 50-1/8 | 52-3/4 | 1184 | 36.4 | 25.2 | 22.4 |
| SLTM3-01270-3 | 13779 | 12700 | 17072 | 610 | 10241 | 12620 | 451 | - | - | - | 1/2 | 870 | 30 | 76 | 8 | 3 | 2.8 | 50-1/8 | 52-3/4 | 1294 | 40.1 | 28.9 | 26.2 |
| SLTM3-01285-3 | - | 12846 | 22366 | 710 | 10825 | 17505 | 556 | 8210 | 11646 | 370 | 3/4 | 870 | 30 | 77 | 6 | 3 | 2.3 | 52-7/8 | 55-1/2 | 1235 | 40.1 | 28.9 | 26.2 |
| SLTM3-01314-3 | 14449 | 13136 | 20123 | 479 | 10861 | 15397 | 367 | - | - | - | 1/2 | 870 | 30 | 76 | 6 | 3 | 3.1 | 64-7/8 | 67-1/2 | 1404 | 47.6 | 36.4 | 33.7 |
| SLTM3-01317-3 | - | 13167 | 23165 | 735 | 11163 | 18212 | 578 | 8779 | 12838 | 408 | 1 | 870 | 30 | 77 | 6 | 3 | 2.3 | 52-7/8 | 55-1/2 | 1235 | 40.1 | 28.9 | 26.2 |
| SLTM3-01360-4 | 14961 | 13601 | 18375 | 583 | 11226 | 13636 | 433 | - | - | - | 1/2 | 870 | 30 | 76 | 6 | 4 | 2.3 | 52-7/8 | 55-1/2 | 1304 | 40.1 | 28.9 | 26.2 |
| SLTM3-01364-3 | 14802 | 13643 | 17970 | 570 | 11046 | 13249 | 421 | - | - | - | 1/2 | 870 | 30 | 76 | 8 | 3 | 3.1 | 52-7/8 | 55-1/2 | 1339 | 43.9 | 32.6 | 29.9 |
| SLTM3-01383-3 | - | 13833 | 26841 | 959 | 12581 | 23070 | 824 | 10896 | 18761 | 670 | 1-1/2 | 1160 | 30 | 83 | 6 | 3 | 2.1 | 50-1/8 | 52-3/4 | 1202 | 36.4 | 25.2 | 22.4 |
| SLTM3-01432-4 | - | 14316 | 20668 | 738 | 11897 | 15946 | 570 | 9258 | 11176 | 399 | 3/4 | 870 | 30 | 77 | 6 | 4 | 2.1 | 50-1/8 | 52-3/4 | 1258 | 36.4 | 25.2 | 22.4 |
| SLTM3-01435-3 | - | 14349 | 19999 | 714 | 11790 | 15364 | 549 | 9237 | 10953 | 391 | 3/4 | 870 | 30 | 77 | 8 | 3 | 2.8 | 50-1/8 | 52-3/4 | 1289 | 40.1 | 28.9 | 26.2 |
| SLTM3-01448-3 | - | 14480 | 20400 | 729 | 12126 | 15922 | 569 | 9895 | 12009 | 429 | 1 | 870 | 30 | 77 | 8 | 3 | 2.8 | 50-1/8 | 52-3/4 | 1289 | 40.1 | 28.9 | 26.2 |
| SLTM3-01451-4 | - | 14505 | 21305 | 761 | 12370 | 16593 | 593 | 10087 | 12288 | 439 | 1 | 870 | 30 | 77 | 6 | 4 | 2.1 | 50-1/8 | 52-3/4 | 1258 | 36.4 | 25.2 | 22.4 |
| SLTM3-01455-3 | - | 14558 | 29071 | 1038 | 13262 | 25091 | 896 | 11785 | 20861 | 745 | 2 | 1160 | 30 | 84 | 6 | 3 | 2.1 | 50-1/8 | 52-3/4 | 1272 | 36.4 | 25.2 | 22.4 |
| SLTM3-01456-3 | - | 14559 | 20803 | 743 | 13310 | 18211 | 650 | 11641 | 15081 | 539 | 1 | 1160 | 30 | 84 | 8 | 3 | 2.8 | 50-1/8 | 52-3/4 | 1265 | 40.1 | 28.9 | 26.2 |
| SLTM3-01470-4 | 15945 | 14696 | 16520 | 590 | 12007 | 12389 | 442 | - | - | - | 1/2 | 870 | 30 | 76 | 8 | 4 | 2.8 | 50-1/8 | 52-3/4 | 1370 | 40.1 | 28.9 | 26.2 |
| SLTM3-01490-3 | - | 14900 | 28090 | 892 | 13609 | 24428 | 775 | 11828 | 19756 | 627 | 1-1/2 | 1160 | 30 | 83 | 6 | 3 | 2.3 | 52-7/8 | 55-1/2 | 1236 | 40.1 | 28.9 | 26.2 |
| SLTM3-01528-4 | - | 15278 | 21762 | 691 | 12791 | 16956 | 538 | 8301 | 11483 | 365 | 3/4 | 870 | 30 | 77 | 6 | 4 | 2.3 | 52-7/8 | 55-1/2 | 1300 | 40.1 | 28.9 | 26.2 |
| SLTM3-01532-6 | 16858 | 15325 | 17659 | 561 | 12954 | 13110 | 416 | - | - | - | 1/2 | 870 | 30 | 76 | 6 | 6 | 2.3 | 52-7/8 | 55-1/2 | 1434 | 40.1 | 28.9 | 26.2 |
| SLTM3-01540-3 | 16935 | 15395 | 25393 | 605 | 13234 | 20579 | 490 | - | - | - | 1 | 870 | 30 | 77 | 6 | 3 | 3.1 | 64-7/8 | 67-1/2 | 1400 | 47.6 | 36.4 | 33.7 |
| SLTM3-01548-4 | - | 15478 | 22150 | 703 | 14000 | 19438 | 617 | 12685 | 16038 | 509 | 1 | 1160 | 30 | 84 | 6 | 4 | 2.3 | 52-7/8 | 55-1/2 | 1276 | 40.1 | 28.9 | 26.2 |
| SLTM3-01561-4 | - | 15612 | 22483 | 714 | 13151 | 17644 | 560 | 10460 | 12629 | 401 | 1 | 870 | 30 | 77 | 6 | 4 | 2.3 | 52-7/8 | 55-1/2 | 1300 | 40.1 | 28.9 | 26.2 |
| SLTM3-01567-4 | 17233 | 15666 | 19860 | 473 | 11212 | 15077 | 359 | - | - | - | 1/2 | 870 | 30 | 76 | 6 | 4 | 3.1 | 64-7/8 | 67-1/2 | 1491 | 47.6 | 36.4 | 33.7 |

* Capacity based on R717 refrigerant with either recirculated or flooded feed.

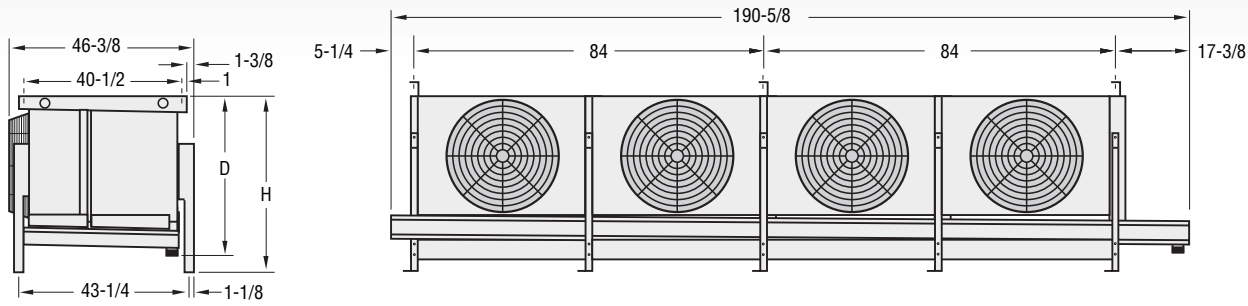
† Sound ratings are based on 6 feet from the unit and under free field conditions.



ALUMINUM

EVAPORATORS

Engineering Data



SLTM UNIT COOLERS — 4 FAN MODELS

| Model No. | 0" ESP | | | 1/4" ESP | | | 1/2" ESP | | | Fan Data | | | | Coil Data | | Height | | Shipping Wt. (lbs.) | Electric Defrost (KW) | | | | |
|---------------|---------------------|---------|---------------|----------------|---------------------|---------|---------------|----------------|---------------------|----------|---------------|----------------|----------|-----------|------|--------|------|---------------------|-----------------------|-----------------|-----------|------|-----------|
| | Capacity* (Btuh/TD) | | Airflow (CFM) | Velocity (FPM) | Capacity* (Btuh/TD) | | Airflow (CFM) | Velocity (FPM) | Capacity* (Btuh/TD) | | Airflow (CFM) | Velocity (FPM) | Motor Hp | RPM | Dia. | dBa† | Rows | | Volume (ft³) | Dimension (in.) | Room Temp | | |
| | Wet | Frosted | | | Frosted | Frosted | | | Frosted | Frosted | | | | | | | | | | | D | H | >or=-20°F |
| SLTM4-00698-3 | 7791 | 6987 | 14864 | 531 | 5440 | 10270 | 367 | - | - | - | 1/2 | 870 | 22 | 70 | 4 | 3 | 1.4 | 43 | 44-3/4 | 1352 | 33.0 | 28.1 | 24.6 |
| SLTM4-00858-4 | 9570 | 8583 | 14642 | 523 | 6350 | 10062 | 359 | - | - | - | 1/2 | 870 | 22 | 70 | 4 | 4 | 1.4 | 43 | 44-3/4 | 1391 | 33.0 | 28.1 | 24.6 |
| SLTM4-00904-3 | 9947 | 9043 | 14092 | 503 | 7115 | 9907 | 354 | - | - | - | 1/2 | 870 | 22 | 70 | 6 | 3 | 2.1 | 43 | 44-3/4 | 1440 | 37.9 | 28.1 | 24.6 |
| SLTM4-00994-6 | 11088 | 9945 | 14154 | 505 | 8341 | 9995 | 357 | - | - | - | 1/2 | 870 | 22 | 70 | 4 | 6 | 1.4 | 43 | 44-3/4 | 1468 | 33.0 | 28.1 | 24.6 |
| SLTM4-01072-3 | 11634 | 10723 | 13448 | 480 | - | - | - | - | - | - | 1/2 | 870 | 22 | 70 | 8 | 3 | 2.7 | 43 | 44-3/4 | 1529 | 42.8 | 28.1 | 24.6 |
| SLTM4-01078-4 | 11860 | 10782 | 13821 | 494 | - | - | - | - | - | - | 1/2 | 870 | 22 | 70 | 6 | 4 | 2.1 | 43 | 44-3/4 | 1498 | 37.9 | 28.1 | 24.6 |
| SLTM4-01099-3 | - | 10997 | 30716 | 1097 | 10506 | 28415 | 1015 | 9855 | 25528 | 912 | 2 | 1750 | 22 | 89 | 4 | 3 | 1.4 | 43 | 44-3/4 | 1361 | 33.0 | 28.1 | 24.6 |
| SLTM4-01167-3 | - | 11666 | 20501 | 732 | 9792 | 15925 | 569 | 7467 | 10725 | 383 | 3/4 | 1160 | 22 | 78 | 6 | 3 | 2.1 | 43 | 44-3/4 | 1379 | 37.9 | 28.1 | 24.6 |
| SLTM4-01168-3 | 13025 | 11681 | 26250 | 625 | 9658 | 19683 | 469 | - | - | - | 1/2 | 870 | 30 | 77 | 4 | 3 | 2.1 | 53-3/4 | 55-1/2 | 1496 | 47.8 | 37.9 | 34.4 |
| SLTM4-01245-4 | 13508 | 12450 | 13146 | 469 | - | - | - | - | - | - | 1/2 | 870 | 22 | 70 | 8 | 4 | 2.7 | 43 | 44-3/4 | 1605 | 42.8 | 28.1 | 24.6 |
| SLTM4-01256-3 | - | 12561 | 29412 | 700 | 11435 | 25456 | 606 | 9773 | 20033 | 477 | 3/4 | 1140 | 30 | 85 | 4 | 3 | 2.1 | 53-3/4 | 55-1/2 | 1435 | 47.8 | 37.9 | 34.4 |
| SLTM4-01278-4 | 14253 | 12783 | 23180 | 621 | 10497 | 17193 | 461 | - | - | - | 1/2 | 870 | 30 | 77 | 4 | 4 | 1.8 | 51 | 52-3/4 | 1517 | 42.8 | 33.0 | 29.5 |
| SLTM4-01349-4 | - | 13497 | 30335 | 1083 | 12857 | 27918 | 997 | 11994 | 24851 | 888 | 2 | 1750 | 22 | 89 | 4 | 4 | 1.4 | 43 | 44-3/4 | 1400 | 33.0 | 28.1 | 24.6 |
| SLTM4-01382-4 | - | 13817 | 19915 | 711 | 11544 | 15414 | 551 | 7634 | 10632 | 380 | 3/4 | 1160 | 22 | 78 | 6 | 4 | 2.1 | 43 | 44-3/4 | 1437 | 37.9 | 28.1 | 24.6 |
| SLTM4-01412-3 | - | 14121 | 38381 | 1028 | 13045 | 33604 | 900 | 11402 | 27106 | 726 | 1-1/2 | 1140 | 30 | 85 | 4 | 3 | 1.8 | 51 | 52-3/4 | 1462 | 42.8 | 33.0 | 29.5 |
| SLTM4-01431-3 | 15743 | 14312 | 23333 | 625 | 11622 | 17164 | 460 | - | - | - | 1/2 | 870 | 30 | 77 | 6 | 3 | 2.7 | 51 | 52-3/4 | 1583 | 47.8 | 33.0 | 29.5 |
| SLTM4-01431-4 | 15962 | 14315 | 25907 | 617 | 11796 | 19310 | 460 | - | - | - | 1/2 | 870 | 30 | 77 | 4 | 4 | 2.1 | 53-3/4 | 55-1/2 | 1554 | 47.8 | 37.9 | 34.4 |
| SLTM4-01486-6 | 16571 | 14862 | 22452 | 601 | 12402 | 16498 | 442 | - | - | - | 1/2 | 870 | 30 | 77 | 4 | 6 | 1.8 | 51 | 52-3/4 | 1620 | 42.8 | 33.0 | 29.5 |
| SLTM4-01510-4 | - | 15106 | 30215 | 809 | 13821 | 26195 | 702 | 12182 | 21526 | 577 | 1 | 1140 | 30 | 85 | 4 | 4 | 1.8 | 51 | 52-3/4 | 1479 | 42.8 | 33.0 | 29.5 |
| SLTM4-01523-3 | 16754 | 15231 | 25039 | 596 | 12428 | 18612 | 443 | - | - | - | 1/2 | 870 | 30 | 77 | 6 | 3 | 3.1 | 53-3/4 | 55-1/2 | 1628 | 52.7 | 37.9 | 34.4 |
| SLTM4-01573-3 | - | 15730 | 27257 | 730 | 14027 | 23488 | 629 | 12064 | 19008 | 509 | 3/4 | 1160 | 30 | 85 | 6 | 3 | 2.7 | 51 | 52-3/4 | 1522 | 47.8 | 33.0 | 29.5 |
| SLTM4-01594-3 | - | 15945 | 28405 | 761 | 13375 | 22033 | 590 | 10493 | 15093 | 404 | 3/4 | 870 | 30 | 78 | 6 | 3 | 2.7 | 51 | 52-3/4 | 1578 | 47.8 | 33.0 | 29.5 |
| SLTM4-01640-3 | - | 16403 | 29301 | 785 | 13783 | 22845 | 612 | 11198 | 16613 | 445 | 1 | 870 | 30 | 79 | 6 | 3 | 2.7 | 51 | 52-3/4 | 1578 | 47.8 | 33.0 | 29.5 |
| SLTM4-01697-3 | 18417 | 16974 | 22831 | 612 | 13791 | 16824 | 451 | - | - | - | 1/2 | 870 | 30 | 77 | 8 | 3 | 3.6 | 51 | 52-3/4 | 1701 | 52.7 | 37.9 | 34.4 |
| SLTM4-01704-4 | 18742 | 17039 | 23333 | 625 | 13714 | 17056 | 457 | - | - | - | 1/2 | 870 | 30 | 77 | 6 | 4 | 2.7 | 51 | 52-3/4 | 1660 | 47.8 | 33.0 | 29.5 |
| SLTM4-01735-3 | - | 17353 | 29876 | 711 | 14564 | 23418 | 558 | 10908 | 15466 | 368 | 3/4 | 870 | 30 | 78 | 6 | 3 | 3.1 | 53-3/4 | 55-1/2 | 1623 | 52.7 | 37.9 | 34.4 |
| SLTM4-01749-3 | 19234 | 17486 | 26869 | 480 | 14684 | 20453 | 365 | - | - | - | 1/2 | 870 | 30 | 77 | 6 | 3 | 4.1 | 65-3/4 | 67-1/2 | 1842 | 62.5 | 47.8 | 44.3 |
| SLTM4-01756-3 | - | 17557 | 30907 | 736 | 14864 | 24285 | 578 | 11692 | 17038 | 406 | 1 | 870 | 30 | 79 | 6 | 3 | 3.1 | 53-3/4 | 55-1/2 | 1623 | 52.7 | 37.9 | 34.4 |
| SLTM4-01821-3 | 19754 | 18207 | 23960 | 570 | 14575 | 17593 | 419 | - | - | - | 1/2 | 870 | 30 | 77 | 8 | 3 | 4.1 | 53-3/4 | 55-1/2 | 1760 | 57.6 | 42.8 | 39.4 |
| SLTM4-01822-4 | 20041 | 18219 | 24576 | 585 | 14761 | 18172 | 433 | - | - | - | 1/2 | 870 | 30 | 77 | 6 | 4 | 3.1 | 53-3/4 | 55-1/2 | 1714 | 52.7 | 37.9 | 34.4 |
| SLTM4-01846-3 | - | 18460 | 35791 | 959 | 16765 | 30757 | 824 | 14641 | 25006 | 670 | 1-1/2 | 1160 | 30 | 85 | 6 | 3 | 2.7 | 51 | 52-3/4 | 1579 | 47.8 | 33.0 | 29.5 |
| SLTM4-01889-3 | - | 18889 | 26665 | 714 | 15737 | 20486 | 549 | 12278 | 14532 | 389 | 3/4 | 870 | 30 | 78 | 8 | 3 | 3.6 | 51 | 52-3/4 | 1695 | 52.7 | 37.9 | 34.4 |
| SLTM4-01910-4 | - | 19105 | 27556 | 738 | 15897 | 21261 | 570 | 12310 | 14842 | 398 | 3/4 | 870 | 30 | 78 | 6 | 4 | 2.7 | 51 | 52-3/4 | 1655 | 47.8 | 33.0 | 29.5 |
| SLTM4-01917-3 | - | 19174 | 27211 | 729 | 15921 | 21042 | 564 | 13328 | 16008 | 429 | 1 | 870 | 30 | 79 | 8 | 3 | 3.6 | 51 | 52-3/4 | 1695 | 52.7 | 37.9 | 34.4 |
| SLTM4-01928-4 | - | 19283 | 28407 | 761 | 16472 | 22052 | 591 | 13049 | 16306 | 437 | 1 | 870 | 30 | 79 | 6 | 4 | 2.7 | 51 | 52-3/4 | 1655 | 47.8 | 33.0 | 29.5 |
| SLTM4-01940-3 | - | 19396 | 38770 | 1038 | 17682 | 33455 | 896 | 15757 | 27805 | 745 | 2 | 1160 | 30 | 85 | 6 | 3 | 2.7 | 51 | 52-3/4 | 1673 | 47.8 | 33.0 | 29.5 |
| SLTM4-01945-3 | - | 19454 | 27793 | 744 | 18038 | 24258 | 650 | 15536 | 20044 | 537 | 1 | 1160 | 30 | 85 | 8 | 3 | 3.6 | 51 | 52-3/4 | 1663 | 52.7 | 37.9 | 34.4 |
| SLTM4-01983-3 | - | 19834 | 37461 | 892 | 18138 | 32570 | 775 | 15980 | 26332 | 627 | 1-1/2 | 1160 | 30 | 85 | 6 | 3 | 3.1 | 53-3/4 | 55-1/2 | 1624 | 52.7 | 37.9 | 34.4 |
| SLTM4-02041-4 | - | 20409 | 29087 | 693 | 17091 | 22615 | 538 | 10959 | 15226 | 363 | 3/4 | 870 | 30 | 78 | 6 | 4 | 3.1 | 53-3/4 | 55-1/2 | 1709 | 52.7 | 37.9 | 34.4 |
| SLTM4-02042-4 | 22154 | 20419 | 22024 | 590 | 15832 | 16448 | 441 | - | - | - | 1/2 | 870 | 30 | 77 | 8 | 4 | 3.6 | 51 | 52-3/4 | 1803 | 52.7 | 37.9 | 34.4 |
| SLTM4-02049-6 | 22548 | 20498 | 23602 | 562 | 17285 | 17526 | 417 | - | - | - | 1/2 | 870 | 30 | 77 | 6 | 6 | 3.1 | 53-3/4 | 55-1/2 | 1887 | 52.7 | 37.9 | 34.4 |
| SLTM4-02057-3 | 22624 | 20567 | 33935 | 606 | 17745 | 27364 | 489 | - | - | - | 1 | 870 | 30 | 79 | 6 | 3 | 4.1 | 65-3/4 | 67-1/2 | 1837 | 62.5 | 47.8 | 44.3 |
| SLTM4-02064-4 | - | 20639 | 29560 | 704 | 19360 | 25897 | 617 | 16514 | 21321 | 508 | 1 | 1160 | 30 | 85 | 6 | 4 | 3.1 | 53-3/4 | 55-1/2 | 1676 | 52.7 | 37.9 | 34.4 |
| SLTM4-02083-4 | - | 20832 | 29985 | 714 | 17941 | 23510 | 560 | 14079 | 16819 | 400 | 1 | 870 | 30 | 79 | 6 | 4 | 3.1 | 53-3/4 | 55-1/2 | 1709 | 52.7 | 37.9 | 34.4 |
| SSTM4-02093-4 | 23021 | 20928 | 26491 | 473 | 14915 | 20087 | 359 | - | - | - | 1/2 | 870 | 30 | 77 | 6 | 4 | 4.1 | 65-3/4 | 67-1/2 | 1958 | 62.5 | 47.8 | 44.3 |

* Capacity based on R717 refrigerant with either recirculated or flooded feed.

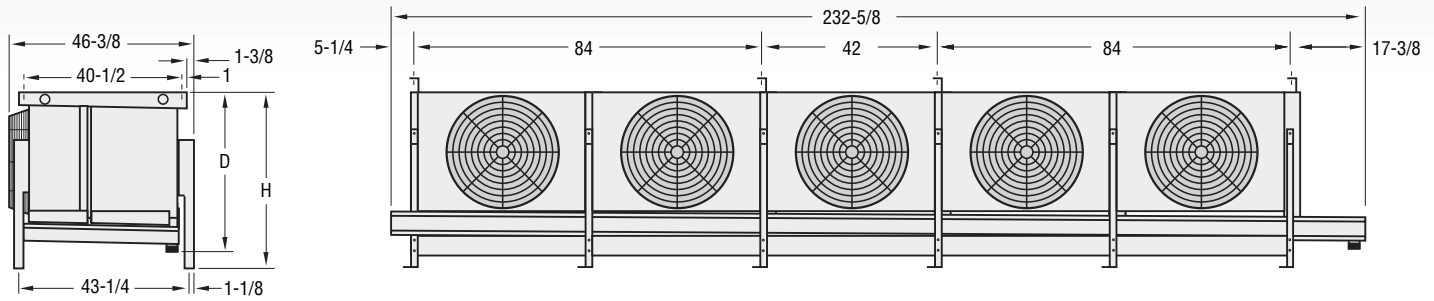
† Sound ratings are based on 6 feet from the unit and under free field conditions.



ALUMINUM

EVAPORATORS

Engineering Data



SLTM UNIT COOLERS — 5 FAN MODELS

| Model No. | 0" ESP | | | | 1/4" ESP | | | | 1/2" ESP | | | | Fan Data | | | | Coil Data | | Height | | Electric Defrost (KW) | | | |
|---------------|-----------|---------|---------------|----------------|-----------|---------|---------------|----------------|-----------|---------|---------------|----------------|----------|-----|------|------|-----------|--------------|-----------------|---------------------|-----------------------|------|-----------|--------|
| | Capacity* | | Airflow (CFM) | Velocity (FPM) | Capacity* | | Airflow (CFM) | Velocity (FPM) | Capacity* | | Airflow (CFM) | Velocity (FPM) | Motor Hp | RPM | Dia. | dBa† | Rows Deep | Volume (ft³) | Dimension (in.) | Shipping Wt. (lbs.) | Room Temp | | | |
| | Wet | Frosted | | | Frosted | Frosted | | | Frosted | Frosted | | | | | | | | | | | D | H | >or=-20°F | > +5°F |
| SLTM5-00876-3 | 9771 | 8763 | 18605 | 532 | 6806 | 12864 | 368 | - | - | - | - | 1/2 | 870 | 22 | 71 | 4 | 3 | 1.7 | 43-7/8 | 44-3/4 | 1665 | 40.8 | 34.7 | 30.5 |
| SLTM5-01073-4 | 11964 | 10730 | 18326 | 524 | 7939 | 12617 | 360 | - | - | - | - | 1/2 | 870 | 22 | 71 | 4 | 4 | 1.7 | 43-7/8 | 44-3/4 | 1713 | 40.8 | 34.7 | 30.5 |
| SLTM5-01133-3 | 12458 | 11326 | 17630 | 504 | 8806 | 12363 | 353 | - | - | - | - | 1/2 | 870 | 22 | 71 | 6 | 3 | 2.6 | 43-7/8 | 44-3/4 | 1775 | 46.9 | 34.7 | 30.5 |
| SLTM5-01243-6 | 13864 | 12434 | 17715 | 506 | 10385 | 12322 | 352 | - | - | - | - | 1/2 | 870 | 22 | 71 | 4 | 6 | 1.7 | 43-7/8 | 44-3/4 | 1810 | 40.8 | 34.7 | 30.5 |
| SLTM5-01346-4 | 14811 | 13464 | 17275 | 494 | - | - | - | - | - | - | - | 1/2 | 870 | 22 | 71 | 6 | 4 | 2.6 | 43-7/8 | 44-3/4 | 1847 | 46.9 | 34.7 | 30.5 |
| SLTM5-01347-3 | 14619 | 13473 | 16883 | 482 | - | - | - | - | - | - | - | 1/2 | 870 | 22 | 71 | 8 | 3 | 3.4 | 43-7/8 | 44-3/4 | 1884 | 53.0 | 34.7 | 30.5 |
| SLTM5-01374-3 | - | 13746 | 38395 | 1097 | 13140 | 35524 | 1015 | 12327 | 31916 | 912 | 2 | 1750 | 22 | 90 | 4 | 3 | 1.7 | 43-7/8 | 44-3/4 | 1677 | 40.8 | 34.7 | 30.5 | |
| SLTM5-01459-3 | - | 14591 | 25632 | 732 | 12573 | 19978 | 571 | 9344 | 13399 | 383 | 3/4 | 1160 | 22 | 79 | 6 | 3 | 2.6 | 43-7/8 | 44-3/4 | 1698 | 46.9 | 34.7 | 30.5 | |
| SLTM5-01463-3 | 16316 | 14633 | 32812 | 625 | 12085 | 24641 | 469 | - | - | - | - | 1/2 | 870 | 30 | 78 | 4 | 3 | 2.6 | 54-5/8 | 55-1/2 | 1841 | 59.1 | 46.9 | 42.7 |
| SLTM5-01570-3 | - | 15709 | 36802 | 701 | 14337 | 31895 | 608 | 12233 | 25092 | 478 | 3/4 | 1140 | 30 | 86 | 4 | 3 | 2.6 | 54-5/8 | 55-1/2 | 1764 | 59.1 | 46.9 | 42.7 | |
| SLTM5-01573-4 | 17066 | 15729 | 16432 | 469 | - | - | - | - | - | - | - | 1/2 | 870 | 22 | 71 | 8 | 4 | 3.4 | 43-7/8 | 44-3/4 | 1980 | 53.0 | 34.7 | 30.5 |
| SLTM5-01595-4 | 17793 | 15958 | 29039 | 622 | 13116 | 21484 | 460 | - | - | - | - | 1/2 | 870 | 30 | 78 | 4 | 4 | 2.3 | 51-7/8 | 52-3/4 | 1869 | 53.0 | 40.8 | 36.6 |
| SLTM5-01688-4 | - | 16885 | 37920 | 1083 | 16072 | 34903 | 997 | 14988 | 31070 | 888 | 2 | 1750 | 22 | 90 | 4 | 4 | 1.7 | 43-7/8 | 44-3/4 | 1725 | 40.8 | 34.7 | 30.5 | |
| SLTM5-01728-4 | - | 17280 | 24913 | 712 | 14425 | 19270 | 551 | 9397 | 13227 | 378 | 3/4 | 1160 | 22 | 79 | 6 | 4 | 2.6 | 43-7/8 | 44-3/4 | 1770 | 46.9 | 34.7 | 30.5 | |
| SLTM5-01764-3 | - | 17647 | 47984 | 1028 | 16272 | 41998 | 900 | 14258 | 33885 | 726 | 1-1/2 | 1140 | 30 | 86 | 4 | 3 | 2.3 | 51-7/8 | 52-3/4 | 1799 | 53.0 | 40.8 | 36.6 | |
| SLTM5-01787-4 | 19930 | 17874 | 32450 | 618 | 147340 | 24166 | 460 | - | - | - | - | 1/2 | 870 | 30 | 78 | 4 | 4 | 2.6 | 54-5/8 | 55-1/2 | 1913 | 59.1 | 46.9 | 42.7 |
| SLTM5-01788-3 | 19669 | 17881 | 29167 | 625 | 14502 | 21410 | 459 | - | - | - | - | 1/2 | 870 | 30 | 78 | 6 | 3 | 3.4 | 51-7/8 | 52-3/4 | 1951 | 59.1 | 40.8 | 36.6 |
| SLTM5-01849-6 | 20624 | 18497 | 28046 | 601 | 15428 | 20613 | 442 | - | - | - | - | 1/2 | 870 | 30 | 78 | 4 | 6 | 2.3 | 51-7/8 | 52-3/4 | 1997 | 53.0 | 40.8 | 36.6 |
| SLTM5-01888-4 | - | 18880 | 37756 | 809 | 17235 | 32761 | 702 | 15197 | 26934 | 577 | 1 | 1140 | 30 | 86 | 4 | 4 | 2.3 | 51-7/8 | 52-3/4 | 1821 | 53.0 | 40.8 | 36.6 | |
| SLTM5-01911-3 | 21023 | 19112 | 31326 | 597 | 15571 | 23266 | 443 | - | - | - | - | 1/2 | 870 | 30 | 78 | 6 | 3 | 3.8 | 54-5/8 | 55-1/2 | 2005 | 65.2 | 46.9 | 42.7 |
| SLTM5-01963-3 | - | 19632 | 34071 | 730 | 17400 | 29360 | 629 | 15338 | 23690 | 508 | 3/4 | 1160 | 30 | 86 | 6 | 3 | 3.4 | 51-7/8 | 52-3/4 | 1874 | 59.1 | 40.8 | 36.6 | |
| SLTM5-02014-3 | - | 20136 | 35517 | 761 | 16794 | 27542 | 590 | 12921 | 18800 | 403 | 3/4 | 870 | 30 | 79 | 6 | 3 | 3.4 | 51-7/8 | 52-3/4 | 1944 | 59.1 | 40.8 | 36.6 | |
| SLTM5-02055-3 | - | 20547 | 36627 | 785 | 17217 | 28556 | 612 | 14000 | 20739 | 444 | 1 | 870 | 30 | 80 | 6 | 3 | 3.4 | 51-7/8 | 52-3/4 | 1944 | 59.1 | 40.8 | 36.6 | |
| SLTM5-02127-3 | 23073 | 21265 | 28638 | 614 | 17143 | 20960 | 449 | - | - | - | - | 1/2 | 870 | 30 | 78 | 8 | 3 | 4.5 | 51-7/8 | 52-3/4 | 2097 | 65.2 | 46.9 | 42.7 |
| SLTM5-02130-4 | 23431 | 21301 | 29167 | 625 | 17145 | 21320 | 457 | - | - | - | - | 1/2 | 870 | 30 | 78 | 6 | 4 | 3.4 | 51-7/8 | 52-3/4 | 2046 | 59.1 | 40.8 | 36.6 |
| SLTM5-02142-3 | - | 21422 | 37355 | 712 | 18413 | 29272 | 558 | 13594 | 19302 | 368 | 3/4 | 870 | 30 | 79 | 6 | 3 | 3.8 | 54-5/8 | 55-1/2 | 1999 | 65.2 | 46.9 | 42.7 | |
| SLTM5-02192-3 | - | 21918 | 38693 | 737 | 18837 | 30291 | 577 | 14607 | 21296 | 406 | 1 | 870 | 30 | 80 | 6 | 3 | 3.8 | 54-5/8 | 55-1/2 | 1999 | 65.2 | 46.9 | 42.7 | |
| SLTM5-02218-3 | 24401 | 22183 | 33636 | 481 | 17907 | 25568 | 365 | - | - | - | - | 1/2 | 870 | 30 | 78 | 6 | 3 | 5.1 | 66-5/8 | 67-1/2 | 2269 | 77.4 | 59.1 | 54.9 |
| SLTM5-02279-3 | 24722 | 22785 | 29983 | 571 | 18225 | 21991 | 419 | - | - | - | - | 1/2 | 870 | 30 | 78 | 8 | 3 | 5.1 | 54-5/8 | 55-1/2 | 2170 | 71.3 | 53.0 | 48.8 |
| SLTM5-02307-3 | - | 23068 | 44738 | 959 | 20952 | 38446 | 824 | 18318 | 31258 | 670 | 1-1/2 | 1160 | 30 | 86 | 6 | 3 | 3.4 | 51-7/8 | 52-3/4 | 1945 | 59.1 | 40.8 | 36.6 | |
| SLTM5-02361-4 | 25969 | 23608 | 30720 | 585 | 18371 | 22648 | 431 | - | - | - | - | 1/2 | 870 | 30 | 78 | 6 | 4 | 3.8 | 54-5/8 | 55-1/2 | 2113 | 65.2 | 46.9 | 42.7 |
| SLTM5-02366-4 | - | 23656 | 34455 | 738 | 20101 | 26579 | 570 | 15369 | 18529 | 397 | 3/4 | 870 | 30 | 79 | 6 | 4 | 3.4 | 51-7/8 | 52-3/4 | 2040 | 59.1 | 40.8 | 36.6 | |
| SLTM5-02390-3 | - | 23899 | 33331 | 714 | 19618 | 25533 | 547 | 15346 | 18164 | 389 | 3/4 | 870 | 30 | 79 | 8 | 3 | 4.5 | 51-7/8 | 52-3/4 | 2090 | 65.2 | 46.9 | 42.7 | |
| SLTM5-02404-3 | - | 24036 | 34079 | 730 | 20070 | 26321 | 564 | 16471 | 19982 | 428 | 1 | 870 | 30 | 80 | 8 | 3 | 4.5 | 51-7/8 | 52-3/4 | 2090 | 65.2 | 46.9 | 42.7 | |
| SLTM5-02424-3 | - | 24244 | 48463 | 1038 | 22110 | 41832 | 896 | 19910 | 34756 | 745 | 2 | 1160 | 30 | 86 | 6 | 3 | 3.4 | 51-7/8 | 52-3/4 | 2063 | 59.1 | 40.8 | 36.6 | |
| SLTM5-02432-4 | - | 24324 | 35508 | 761 | 20310 | 27451 | 588 | 16548 | 20380 | 437 | 1 | 870 | 30 | 80 | 6 | 4 | 3.4 | 51-7/8 | 52-3/4 | 2040 | 59.1 | 40.8 | 36.6 | |
| SLTM5-02433-3 | - | 24330 | 34747 | 745 | 22154 | 30294 | 649 | 19374 | 25054 | 537 | 1 | 1160 | 30 | 86 | 8 | 3 | 4.5 | 51-7/8 | 52-3/4 | 2049 | 65.2 | 46.9 | 42.7 | |
| SLTM5-02451-4 | 26596 | 24512 | 27527 | 590 | 19789 | 20559 | 441 | - | - | - | - | 1/2 | 870 | 30 | 78 | 8 | 4 | 4.5 | 51-7/8 | 52-3/4 | 2224 | 65.2 | 46.9 | 42.7 |
| SLTM5-02479-3 | - | 24787 | 46826 | 892 | 22668 | 40713 | 775 | 19558 | 32915 | 627 | 1-1/2 | 1160 | 30 | 86 | 6 | 3 | 3.8 | 54-5/8 | 55-1/2 | 2000 | 65.2 | 46.9 | 42.7 | |
| SLTM5-02545-4 | - | 25448 | 36358 | 693 | 21321 | 28269 | 538 | 13840 | 19033 | 363 | 3/4 | 870 | 30 | 79 | 6 | 4 | 3.8 | 54-5/8 | 55-1/2 | 2107 | 65.2 | 46.9 | 42.7 | |
| SLTM5-02563-6 | 28197 | 25634 | 29543 | 563 | 21610 | 21891 | 417 | - | - | - | - | 1/2 | 870 | 30 | 78 | 6 | 6 | 3.8 | 54-5/8 | 55-1/2 | 2329 | 65.2 | 46.9 | 42.7 |
| SLTM5-02571-3 | 28286 | 25715 | 42422 | 606 | 22170 | 34205 | 489 | - | - | - | - | 1 | 870 | 30 | 80 | 6 | 3 | 5.1 | 66-5/8 | 67-1/2 | 2262 | 77.4 | 59.1 | 54.9 |
| SLTM5-02580-4 | - | 25796 | 37002 | 705 | 23809 | 32313 | 615 | 20305 | 26635 | 507 | 1 | 1160 | 30 | 86 | 6 | 4 | 3.8 | 54-5/8 | 55-1/2 | 2066 | 65.2 | 46.9 | 42.7 | |
| SLTM5-02601-4 | - | 26006 | 37548 | 715 | 22284 | 29323 | 559 | 17175 | 20957 | 399 | 1 | 870 | 30 | 80 | 6 | 4 | 3.8 | 54-5/8 | 55-1/2 | 2106 | 65.2 | 46.9 | 42.7 | |
| SLTM5-02615-4 | 28761 | 26146 | 33185 | 474 | 18644 | 25050 | 358 | - | - | - | - | 1/2 | 870 | 30 | 78 | 6 | 4 | 5.1 | 66-5/8 | 67-1/2 | 2413 | 77.4 | 59.1 | 54.9 |

* Capacity based on R717 refrigerant with either recirculated or flooded feed.

† Sound ratings are based on 6 feet from the unit and under free field conditions.



SLT

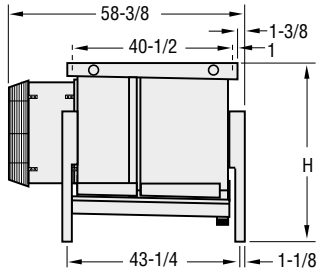
ALUMINUM

EVAPORATORS

Engineering Data

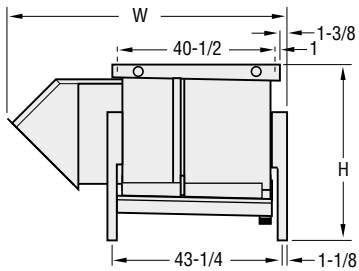
SLTM AIR DISCHARGE OPTIONS

LONG THROW ADAPTERS



Long throw adapters add 12" to the standard unit width. SLTM Models with long throw adapters have the same length and height dimensions as standard models.

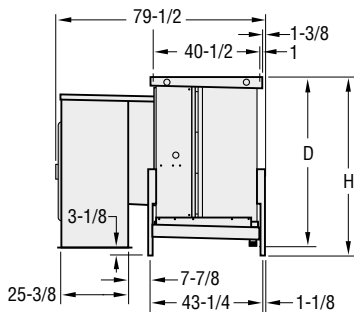
45° DOWNBLOW



SLTM Models with 45° downblow option have the same length and height dimensions as standard models.

| Model No. | Height | Width |
|---------------------------------|--------|--------|
| | H | W |
| Standard unit height identifies | 44-3/4 | 70-1/2 |
| 45° Downblow | 52-3/4 | 75-1/2 |
| unit width | 55-1/2 | 75-1/2 |
| | 67-1/2 | 79 |

90° PENTHOUSE



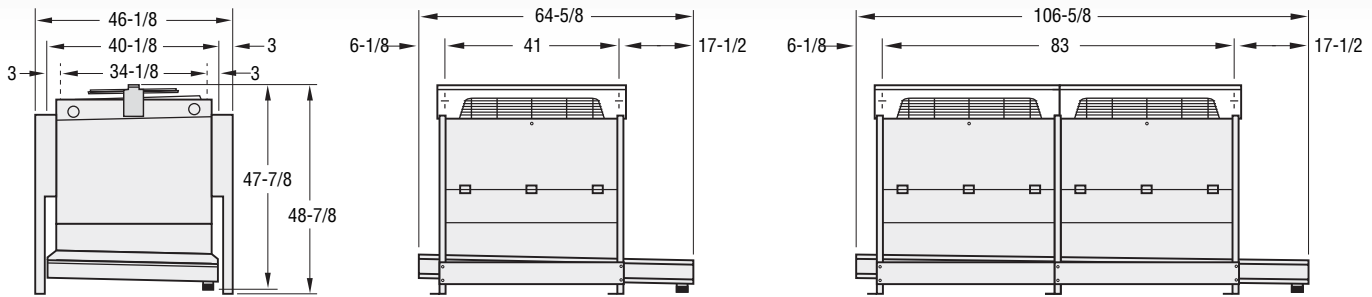
The 90° penthouse option is only available on units with an overall height of 67-1/2 inches. Consult the data table below for details.

SLTM Models with 90° penthouse option have the same length and height dimensions as standard models.

90° PENTHOUSE PHYSICAL DATA

| Model No. | 90° Penthouse | | | |
|-----------|---------------|--------|--------------|--------|
| | Length | Width | Height (in.) | |
| | | | D | H |
| SLTM1 | 64-5/8 | 79-1/2 | 63-1/8 | 67-1/2 |
| SLTM2 | 106-5/8 | 79-1/2 | 64 | 67-1/2 |
| SLTM3 | 148-5/8 | 79-1/2 | 64-7/8 | 67-1/2 |
| SLTM4 | 190-5/8 | 79-1/2 | 65-3/4 | 67-1/2 |
| SLTM5 | 232-5/8 | 79-1/2 | 66-5/8 | 67-1/2 |

Engineering Data



SLTW WORKROOM UNITS — 1, & 2 FAN MODELS

| Model No. | Capacity* (Btuh/TD) | | Airflow (CFM) | Velocity (FPM) | Fan Data | | | | Coil Data | | | Shipping Wt. (lbs.) | Electric Defrost (KW) Room Temp > +33°F |
|---------------|------------------------|---------|------------------|-------------------|-------------|-----|------|------|--------------|-----|-----------------|------------------------|---|
| | Wet | Frosted | | | Motor Hp | RPM | Dia. | dBA† | Rows Deep | fpi | Volume (ft³) | | |
| SLTW1-00259-3 | 2890 | 2592 | 5833 | 625 | 1/2 | 870 | 30 | 71 | 4 | 3 | 0.5 | 465 | 7.0 |
| SLTW1-00292-3 | - | 2928 | 7103 | 761 | 1 | 870 | 30 | 73 | 4 | 3 | 0.5 | 464 | 7.0 |
| SLTW1-00317-4 | 3543 | 3178 | 5744 | 615 | 1/2 | 870 | 30 | 71 | 4 | 4 | 0.5 | 478 | 7.0 |
| SLTW1-00333-3 | 3667 | 3334 | 5343 | 572 | 1/2 | 870 | 30 | 71 | 6 | 3 | 0.7 | 497 | 7.0 |
| SLTW1-00357-4 | - | 3578 | 6921 | 742 | 1 | 870 | 30 | 73 | 4 | 4 | 0.5 | 477 | 7.0 |
| SLTW1-00365-6 | 4080 | 3659 | 5518 | 591 | 1/2 | 870 | 30 | 71 | 4 | 6 | 0.5 | 504 | 7.0 |
| SLTW1-00395-3 | 4284 | 3948 | 5066 | 543 | 1/2 | 870 | 30 | 71 | 8 | 3 | 1.0 | 528 | 8.4 |
| SLTW1-00397-4 | 4368 | 3971 | 5245 | 562 | 1/2 | 870 | 30 | 71 | 6 | 4 | 0.7 | 516 | 7.0 |
| SLTW1-00400-3 | - | 3997 | 6550 | 702 | 1 | 870 | 30 | 73 | 6 | 3 | 0.7 | 495 | 7.0 |
| SLTW1-00410-6 | - | 4109 | 6542 | 701 | 1 | 870 | 30 | 73 | 4 | 6 | 0.5 | 502 | 7.0 |
| SLTW1-00441-6 | 4855 | 4414 | 4934 | 529 | 1/2 | 870 | 30 | 71 | 6 | 6 | 0.7 | 554 | 7.0 |
| SLTW1-00445-3 | - | 4453 | 6096 | 653 | 1 | 870 | 30 | 73 | 8 | 3 | 1.0 | 527 | 8.4 |
| SLTW1-00453-4 | - | 4529 | 6320 | 677 | 1 | 870 | 30 | 73 | 6 | 4 | 0.7 | 514 | 7.0 |
| SLTW1-00461-4 | 5001 | 4609 | 4960 | 531 | 1/2 | 870 | 30 | 71 | 8 | 4 | 1.0 | 554 | 8.4 |
| SLTW1-00493-6 | 5357 | 4937 | 4550 | 488 | 1/2 | 870 | 30 | 71 | 8 | 6 | 1.0 | 605 | 8.4 |
| SLTW1-00498-6 | 5479 | 4981 | 5782 | 620 | 3/4 | 870 | 30 | 72 | 6 | 6 | 0.7 | 553 | 7.0 |
| SLTW1-00505-6 | 5562 | 5056 | 5833 | 625 | 1 | 870 | 30 | 73 | 6 | 6 | 0.7 | 553 | 7.0 |
| SLTW1-00518-4 | 5620 | 5180 | 5760 | 617 | 3/4 | 870 | 30 | 72 | 8 | 4 | 1.0 | 552 | 8.4 |
| SLTW1-00528-4 | - | 5280 | 5914 | 634 | 1 | 870 | 30 | 73 | 8 | 4 | 1.0 | 552 | 8.4 |
| SLTW1-00539-6 | 5858 | 5399 | 5287 | 566 | 3/4 | 870 | 30 | 72 | 8 | 6 | 1.0 | 603 | 8.4 |
| SLTW1-00558-6 | 6058 | 5583 | 5372 | 576 | 1 | 870 | 30 | 73 | 8 | 6 | 1.0 | 603 | 8.4 |
| SLTW2-00511-3 | 5701 | 5113 | 11401 | 611 | 1/2 | 870 | 30 | 74 | 4 | 3 | 0.9 | 790 | 12.8 |
| SLTW2-00590-3 | - | 5902 | 14278 | 765 | 1 | 870 | 30 | 76 | 4 | 3 | 0.9 | 787 | 12.8 |
| SLTW2-00626-4 | 6988 | 6267 | 11224 | 601 | 1/2 | 870 | 30 | 74 | 4 | 4 | 0.9 | 815 | 12.8 |
| SLTW2-00679-3 | 7465 | 6787 | 10800 | 579 | 1/2 | 870 | 30 | 74 | 6 | 3 | 1.4 | 850 | 12.8 |
| SLTW2-00718-4 | - | 7182 | 13878 | 743 | 1 | 870 | 30 | 76 | 4 | 4 | 0.9 | 813 | 12.8 |
| SLTW2-00725-6 | 8095 | 7260 | 10819 | 580 | 1/2 | 870 | 30 | 74 | 4 | 6 | 0.9 | 867 | 12.8 |
| SLTW2-00771-3 | - | 7708 | 13186 | 706 | 1 | 870 | 30 | 76 | 6 | 3 | 1.4 | 847 | 12.8 |
| SLTW2-00795-3 | 8630 | 7954 | 10235 | 548 | 1/2 | 870 | 30 | 74 | 8 | 3 | 1.9 | 910 | 15.4 |
| SLTW2-00798-4 | 8780 | 7982 | 10571 | 566 | 1/2 | 870 | 30 | 74 | 6 | 4 | 1.4 | 888 | 12.8 |
| SLTW2-00825-6 | - | 8254 | 13140 | 704 | 1 | 870 | 30 | 76 | 4 | 6 | 0.9 | 864 | 12.8 |
| SLTW2-00887-6 | 9763 | 8876 | 9995 | 535 | 1/2 | 870 | 30 | 74 | 6 | 6 | 1.4 | 965 | 12.8 |
| SLTW2-00905-4 | - | 9052 | 12718 | 681 | 1 | 870 | 30 | 76 | 6 | 4 | 1.4 | 885 | 12.8 |
| SLTW2-00910-3 | - | 9097 | 12243 | 656 | 1 | 870 | 30 | 76 | 8 | 3 | 1.9 | 907 | 15.4 |
| SLTW2-00922-4 | 9999 | 9216 | 9915 | 531 | 1/2 | 870 | 30 | 74 | 8 | 4 | 1.9 | 961 | 15.4 |
| SLTW2-00991-6 | 10753 | 9911 | 9138 | 490 | 1/2 | 870 | 30 | 74 | 8 | 6 | 1.9 | 1063 | 15.4 |
| SLTW2-01004-6 | 11046 | 10042 | 11649 | 624 | 3/4 | 870 | 30 | 75 | 6 | 6 | 1.4 | 962 | 12.8 |
| SLTW2-01019-6 | 11216 | 10197 | 11667 | 625 | 1 | 870 | 30 | 76 | 6 | 6 | 1.4 | 962 | 12.8 |
| SLTW2-01036-4 | 11240 | 10360 | 11511 | 617 | 3/4 | 870 | 30 | 75 | 8 | 4 | 1.9 | 958 | 15.4 |
| SLTW2-01054-4 | - | 10540 | 11826 | 634 | 1 | 870 | 30 | 76 | 8 | 4 | 1.9 | 958 | 15.4 |
| SLTW2-01082-6 | 11749 | 10828 | 10597 | 568 | 3/4 | 870 | 30 | 75 | 8 | 6 | 1.9 | 1060 | 15.4 |
| SLTW2-01120-6 | 12159 | 11207 | 10784 | 578 | 1 | 870 | 30 | 76 | 8 | 6 | 1.9 | 1060 | 15.4 |

* Capacity based on R717 refrigerant with either recirculated or flooded feed.

† Sound ratings are based on 6 feet from the unit and under free field conditions.

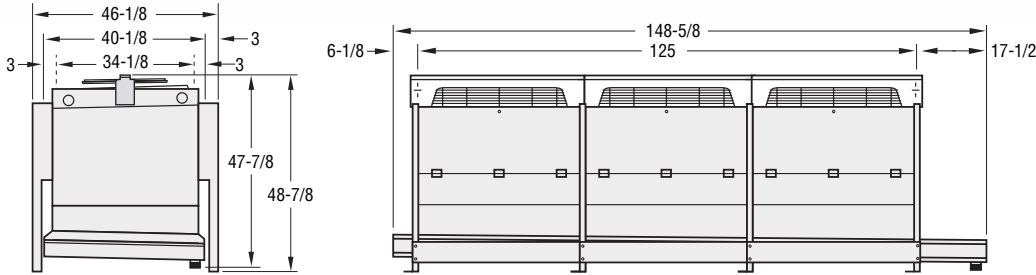


SLT

ALUMINUM

EVAPORATORS

Engineering Data

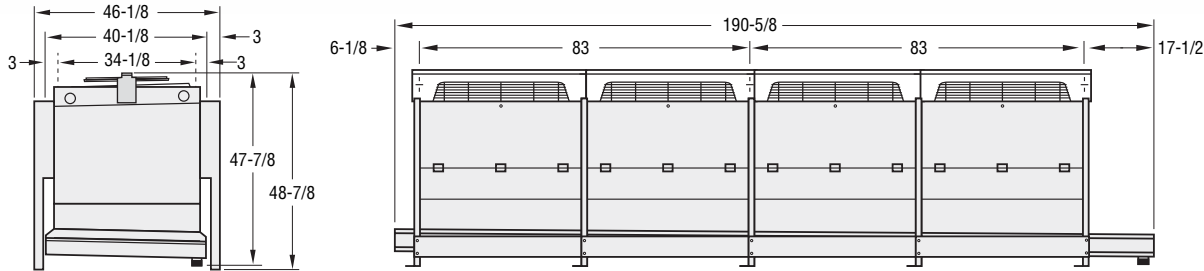


SLTW WORKROOM UNITS — 3 FAN MODELS

| Model No. | Capacity* (Btuh/TD) | | Airflow (CFM) | Velocity (FPM) | Fan Data | | | | Coil Data | | | Shipping Wt. (lbs.) | Electric Defrost (KW) |
|---------------|------------------------|---------|------------------|-------------------|-------------|-----|------|------|--------------|-----|-----------------|------------------------|-----------------------|
| | Wet | Frosted | | | Motor Hp | RPM | Dia. | dBA† | Rows Deep | fpi | Volume (ft³) | | Room Temp > +33°F |
| SLTW3-00769-3 | 8582 | 7697 | 17175 | 613 | 1/2 | 870 | 30 | 76 | 4 | 3 | 1.4 | 1116 | 18.7 |
| SLTW3-00885-3 | - | 8859 | 21445 | 766 | 1 | 870 | 30 | 77 | 4 | 3 | 1.4 | 1112 | 18.7 |
| SLTW3-00941-4 | 10410 | 9417 | 16878 | 603 | 1/2 | 870 | 30 | 76 | 4 | 4 | 1.4 | 1154 | 18.7 |
| SLTW3-01008-3 | 11086 | 10078 | 16286 | 581 | 1/2 | 870 | 30 | 76 | 6 | 3 | 2.1 | 1205 | 18.7 |
| SLTW3-01078-4 | - | 10783 | 20865 | 745 | 1 | 870 | 30 | 77 | 4 | 4 | 1.4 | 1150 | 18.7 |
| SLTW3-01090-6 | 12160 | 10906 | 16263 | 581 | 1/2 | 870 | 30 | 76 | 4 | 6 | 1.4 | 1232 | 18.7 |
| SLTW3-01156-3 | - | 11561 | 19779 | 706 | 1 | 870 | 30 | 77 | 6 | 3 | 2.1 | 1201 | 18.7 |
| SLTW3-01194-3 | 12952 | 11938 | 15365 | 549 | 1/2 | 870 | 30 | 76 | 8 | 3 | 2.8 | 1294 | 22.4 |
| SLTW3-01204-4 | 13240 | 12037 | 15753 | 563 | 1/2 | 870 | 30 | 76 | 6 | 4 | 2.1 | 1262 | 18.7 |
| SLTW3-01236-6 | - | 12364 | 19741 | 705 | 1 | 870 | 30 | 77 | 4 | 6 | 1.4 | 1227 | 18.7 |
| SLTW3-01332-6 | 14659 | 13326 | 15005 | 536 | 1/2 | 870 | 30 | 76 | 6 | 6 | 2.1 | 1377 | 18.7 |
| SLTW3-01361-3 | - | 13611 | 18360 | 656 | 1 | 870 | 30 | 77 | 8 | 3 | 2.8 | 1289 | 22.4 |
| SLTW3-01363-4 | - | 13635 | 19174 | 685 | 1 | 870 | 30 | 77 | 6 | 4 | 2.1 | 1258 | 18.7 |
| SLTW3-01381-4 | 14989 | 13814 | 14868 | 531 | 1/2 | 870 | 30 | 76 | 8 | 4 | 2.8 | 1370 | 22.4 |
| SLTW3-01492-6 | 16190 | 14922 | 13797 | 493 | 1/2 | 870 | 30 | 76 | 8 | 6 | 2.8 | 1523 | 22.4 |
| SLTW3-01504-6 | 16547 | 15042 | 17500 | 625 | 3/4 | 870 | 30 | 77 | 6 | 6 | 2.1 | 1373 | 18.7 |
| SLTW3-01526-6 | 16794 | 15267 | 17500 | 625 | 1 | 870 | 30 | 77 | 6 | 6 | 2.1 | 1373 | 18.7 |
| SLTW3-01545-4 | 16765 | 15451 | 17345 | 619 | 3/4 | 870 | 30 | 77 | 8 | 4 | 2.8 | 1366 | 22.4 |
| SLTW3-01581-4 | - | 15813 | 17737 | 633 | 1 | 870 | 30 | 77 | 8 | 4 | 2.8 | 1366 | 22.4 |
| SLTW3-01622-6 | 17601 | 16222 | 15901 | 568 | 3/4 | 870 | 30 | 77 | 8 | 6 | 2.8 | 1519 | 22.4 |
| SLTW3-01683-6 | 18271 | 16839 | 16214 | 579 | 1 | 870 | 30 | 77 | 8 | 6 | 2.8 | 1519 | 22.4 |

* Capacity based on R717 refrigerant with either recirculated or flooded feed.
 † Sound ratings are based on 6 feet from the unit and under free field conditions.

Engineering Data



SLTW WORKROOM UNITS — 4 FAN MODELS

| Model No. | Capacity* (Btuh/TD) | | Airflow (CFM) | Velocity (FPM) | Fan Data | | | | Coil Data | | | Shipping Wt. (lbs.) | Electric Defrost (KW) |
|---------------|------------------------|---------|------------------|-------------------|-------------|-----|------|------|--------------|-----|------------------------------|------------------------|-----------------------|
| | Wet | Frosted | | | Motor Hp | RPM | Dia. | dBA† | Rows Deep | fpi | Volume (ft ³) | | Room Temp > +33°F |
| SLTW4-01026-3 | 11441 | 10261 | 22923 | 614 | 1/2 | 870 | 30 | 77 | 4 | 3 | 1.8 | 1466 | 24.6 |
| SLTW4-01179-3 | - | 11791 | 28613 | 766 | 1 | 870 | 30 | 79 | 4 | 3 | 1.8 | 1460 | 24.6 |
| SLTW4-01254-4 | 13992 | 12549 | 22544 | 604 | 1/2 | 870 | 30 | 77 | 4 | 4 | 1.8 | 1517 | 24.6 |
| SLTW4-01345-3 | 14799 | 13453 | 21724 | 582 | 1/2 | 870 | 30 | 77 | 6 | 3 | 2.7 | 1583 | 24.6 |
| SLTW4-01434-4 | - | 14343 | 27810 | 745 | 1 | 870 | 30 | 79 | 4 | 4 | 1.8 | 1512 | 24.6 |
| SLTW4-01451-6 | 16183 | 14514 | 21728 | 582 | 1/2 | 870 | 30 | 77 | 4 | 6 | 1.8 | 1620 | 24.6 |
| SLTW4-01542-3 | - | 15419 | 26371 | 706 | 1 | 870 | 30 | 79 | 6 | 3 | 2.7 | 1578 | 24.6 |
| SLTW4-01596-3 | 17312 | 15955 | 20548 | 550 | 1/2 | 870 | 30 | 77 | 8 | 3 | 3.6 | 1701 | 29.5 |
| SLTW4-01602-4 | 17618 | 16016 | 21261 | 570 | 1/2 | 870 | 30 | 77 | 6 | 4 | 2.7 | 1660 | 24.6 |
| SLTW4-01644-6 | - | 16447 | 26353 | 706 | 1 | 870 | 30 | 79 | 4 | 6 | 1.8 | 1615 | 24.6 |
| SLTW4-01773-6 | 19510 | 17737 | 19903 | 533 | 1/2 | 870 | 30 | 77 | 6 | 6 | 2.7 | 1814 | 24.6 |
| SLTW4-01802-3 | - | 18024 | 24490 | 656 | 1 | 870 | 30 | 79 | 8 | 3 | 3.6 | 1695 | 29.5 |
| SLTW4-01813-4 | - | 18126 | 25566 | 685 | 1 | 870 | 30 | 79 | 6 | 4 | 2.7 | 1655 | 24.6 |
| SLTW4-01919-4 | 20825 | 19194 | 19822 | 531 | 1/2 | 870 | 30 | 77 | 8 | 4 | 3.6 | 1803 | 29.5 |
| SLTW4-01986-6 | 21557 | 19868 | 18374 | 492 | 1/2 | 870 | 30 | 77 | 8 | 6 | 3.6 | 2007 | 29.5 |
| SLTW4-02011-6 | 22130 | 20119 | 23333 | 625 | 3/4 | 870 | 30 | 78 | 6 | 6 | 2.7 | 1808 | 24.6 |
| SLTW4-02038-6 | 22423 | 20385 | 23333 | 625 | 1 | 870 | 30 | 79 | 6 | 6 | 2.7 | 1808 | 24.6 |
| SLTW4-02088-4 | 22656 | 20881 | 23214 | 622 | 3/4 | 870 | 30 | 78 | 8 | 4 | 3.6 | 1797 | 29.5 |
| SLTW4-02108-4 | - | 21084 | 23648 | 633 | 1 | 870 | 30 | 79 | 8 | 4 | 3.6 | 1797 | 29.5 |
| SLTW4-02163-6 | 23479 | 21640 | 21218 | 568 | 3/4 | 870 | 30 | 78 | 8 | 6 | 3.6 | 2002 | 19.5 |
| SLTW4-02241-6 | 24317 | 22412 | 21605 | 579 | 1 | 870 | 30 | 79 | 8 | 6 | 3.6 | 2002 | 29.5 |

* Capacity based on R717 refrigerant with either recirculated or flooded feed.

† Sound ratings are based on 6 feet from the unit and under free field conditions.

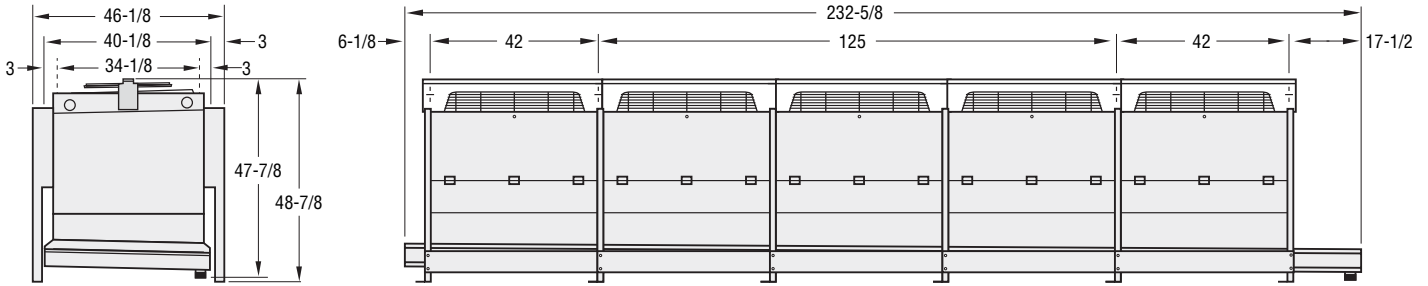


SLT

ALUMINUM

EVAPORATORS

Engineering Data

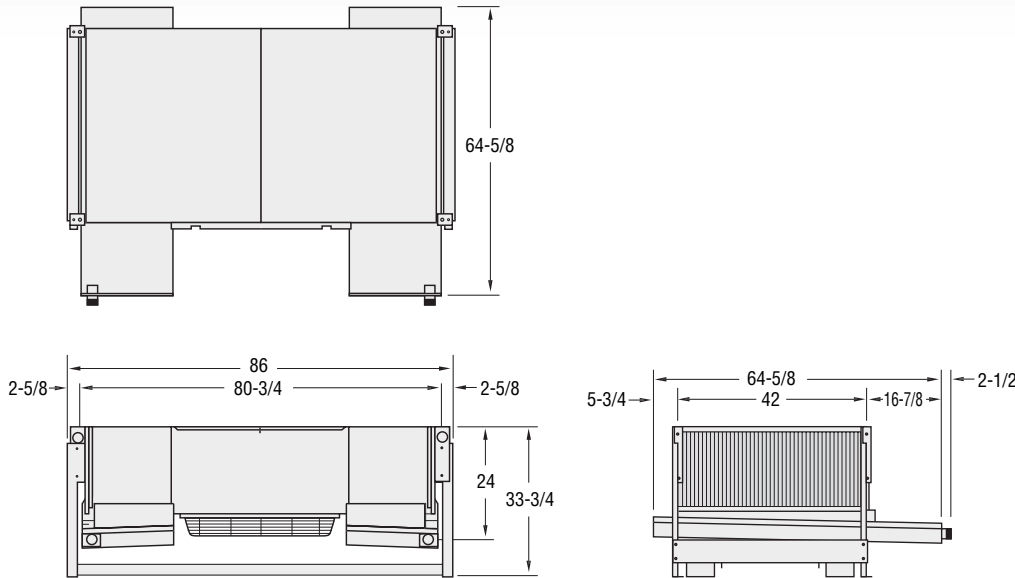


SLT WORKROOM UNITS — 5 FAN MODELS

| Model No. | Capacity* (Btuh/TD) | | Airflow (CFM) | Velocity (FPM) | Fan Data | | | | Coil Data | | | Shipping Wt. (lbs.) | Electric Defrost (KW) |
|---------------|------------------------|---------|------------------|-------------------|-------------|-----|------|------|--------------|-----|-----------------|------------------------|-----------------------|
| | Wet | Frosted | | | Motor Hp | RPM | Dia. | dBA† | Rows Deep | fpi | Volume (ft³) | | Room Temp > +33°F |
| SLTW5-01282-3 | 14300 | 12825 | 28717 | 615 | 1/2 | 870 | 30 | 78 | 4 | 3 | 2.3 | 1804 | 30.5 |
| SLTW5-01474-3 | - | 14749 | 35792 | 767 | 1 | 870 | 30 | 80 | 4 | 3 | 2.3 | 1798 | 30.5 |
| SLTW5-01565-4 | 17453 | 15653 | 28206 | 604 | 1/2 | 870 | 30 | 78 | 4 | 4 | 2.3 | 1869 | 30.5 |
| SLTW5-01681-3 | 18489 | 16808 | 27213 | 583 | 1/2 | 870 | 30 | 78 | 6 | 3 | 3.4 | 1951 | 30.5 |
| SLTW5-01798-4 | - | 17982 | 34813 | 746 | 1 | 870 | 30 | 80 | 4 | 4 | 2.3 | 1862 | 30.5 |
| SLTW5-01812-6 | 20207 | 18122 | 27201 | 583 | 1/2 | 870 | 30 | 78 | 4 | 6 | 2.3 | 1997 | 30.5 |
| SLTW5-01931-3 | - | 19314 | 32964 | 706 | 1 | 870 | 30 | 80 | 6 | 3 | 3.4 | 1944 | 30.5 |
| SLTW5-01999-3 | 21688 | 19989 | 25774 | 552 | 1/2 | 870 | 30 | 78 | 8 | 3 | 4.5 | 2097 | 36.6 |
| SLTW5-02002-4 | 22025 | 20023 | 26575 | 570 | 1/2 | 870 | 30 | 78 | 6 | 4 | 3.4 | 2046 | 30.5 |
| SLTW5-02058-6 | - | 20582 | 32994 | 707 | 1 | 870 | 30 | 80 | 4 | 6 | 2.3 | 1990 | 30.5 |
| SLTW5-02214-6 | 24359 | 22145 | 24889 | 533 | 1/2 | 870 | 30 | 78 | 6 | 6 | 3.4 | 2238 | 30.5 |
| SLTW5-02259-3 | - | 22594 | 30671 | 657 | 1 | 870 | 30 | 80 | 8 | 3 | 4.5 | 2090 | 36.6 |
| SLTW5-02286-4 | - | 22864 | 31957 | 685 | 1 | 870 | 30 | 80 | 6 | 4 | 3.4 | 2040 | 30.5 |
| SLTW5-02304-4 | 25000 | 23042 | 24774 | 531 | 1/2 | 870 | 30 | 78 | 8 | 4 | 4.5 | 2224 | 36.6 |
| SLTW5-02480-6 | 26912 | 24804 | 22922 | 491 | 1/2 | 870 | 30 | 78 | 8 | 6 | 4.5 | 2480 | 36.6 |
| SLTW5-02514-6 | 27655 | 25141 | 29167 | 625 | 3/4 | 870 | 30 | 79 | 6 | 6 | 3.4 | 2232 | 30.5 |
| SLTW5-02538-6 | 27924 | 25386 | 29167 | 625 | 1 | 870 | 30 | 80 | 6 | 6 | 3.4 | 2231 | 30.5 |
| SLTW5-02603-4 | 28243 | 26030 | 29018 | 622 | 3/4 | 870 | 30 | 79 | 8 | 4 | 4.5 | 2218 | 36.6 |
| SLTW5-02636-4 | - | 26356 | 29561 | 633 | 1 | 870 | 30 | 80 | 8 | 4 | 4.5 | 2217 | 36.6 |
| SLTW5-02708-6 | 29392 | 27089 | 26525 | 568 | 3/4 | 870 | 30 | 79 | 8 | 6 | 4.5 | 2473 | 36.6 |
| SLTW5-02801-6 | 30395 | 28014 | 27006 | 579 | 1 | 870 | 30 | 80 | 8 | 6 | 4.5 | 2473 | 36.6 |

* Capacity based on R717 refrigerant with either recirculated or flooded feed.
 † Sound ratings are based on 6 feet from the unit and under free field conditions.

Engineering Data



SLTD LOW PROFILE COOLERS — 1 FAN MODELS

| Model No. | Capacity* | | Airflow (CFM) | Velocity (FPM) | Fan Data | | | | Coil Data | | | Shipping Wt. (lbs.) | Electric Defrost (KW) | | |
|---------------|-----------|---------|------------------|-------------------|-------------|------|------|------|--------------|-----|-----------------|------------------------|-----------------------|--------|---------|
| | Wet | Frosted | | | Motor Hp | RPM | Dia. | dBA† | Rows Deep | fpi | Volume (ft³) | | Room Temp | | |
| | | | | | | | | | | | | | > or = -20°F | > +5°F | > +33°F |
| SLTD1-00344-3 | 3784 | 3440 | 5640 | 604 | 1/2 | 870 | 30 | 71 | 6 | 3 | 0.7 | 605 | 13.6 | 10.8 | 8.4 |
| SLTD1-00407-3 | 4421 | 4074 | 5347 | 573 | 1/2 | 870 | 30 | 71 | 8 | 3 | 1.0 | 637 | 16.4 | 10.8 | 8.4 |
| SLTD1-00410-4 | 4507 | 4097 | 5537 | 593 | 1/2 | 870 | 30 | 71 | 6 | 4 | 0.7 | 624 | 13.6 | 10.8 | 8.4 |
| SLTD1-00412-3 | - | 4125 | 6914 | 741 | 1 | 870 | 30 | 73 | 6 | 3 | 0.7 | 604 | 13.6 | 10.8 | 8.4 |
| SLTD1-00447-3 | - | 4472 | 8495 | 910 | 1-1/2 | 1160 | 30 | 79 | 6 | 3 | 0.7 | 604 | 13.6 | 10.8 | 8.4 |
| SLTD1-00453-6 | 4991 | 4537 | 5235 | 561 | 1/2 | 870 | 30 | 71 | 6 | 6 | 0.7 | 663 | 13.6 | 10.8 | 8.4 |
| SLTD1-00460-3 | - | 4595 | 6435 | 689 | 1 | 870 | 30 | 73 | 8 | 3 | 1.0 | 635 | 16.4 | 10.8 | 8.4 |
| SLTD1-00467-4 | - | 4674 | 6671 | 715 | 1 | 870 | 30 | 73 | 6 | 4 | 0.7 | 623 | 13.6 | 10.8 | 8.4 |
| SLTD1-00474-3 | - | 4739 | 9199 | 986 | 2 | 1160 | 30 | 79 | 6 | 3 | 0.7 | 628 | 13.6 | 10.8 | 8.4 |
| SLTD1-00476-4 | 5161 | 4756 | 5236 | 561 | 1/2 | 870 | 30 | 71 | 8 | 4 | 1.0 | 662 | 16.4 | 10.8 | 8.4 |
| SLTD1-00511-6 | 5548 | 5113 | 4819 | 516 | 1/2 | 870 | 30 | 71 | 8 | 6 | 1.0 | 713 | 16.4 | 10.8 | 8.4 |
| SLTD1-00543-4 | - | 5434 | 8267 | 886 | 1-1/2 | 1160 | 30 | 79 | 6 | 4 | 0.7 | 623 | 13.6 | 10.8 | 8.4 |
| SLTD1-00545-4 | - | 5448 | 6243 | 669 | 1 | 870 | 30 | 73 | 8 | 4 | 1.0 | 661 | 16.4 | 10.8 | 8.4 |
| SLTD1-00545-3 | - | 5453 | 7932 | 850 | 1-1/2 | 1160 | 30 | 79 | 8 | 3 | 1.0 | 636 | 16.4 | 10.8 | 8.4 |
| SLTD1-00558-3 | - | 5579 | 8484 | 909 | 2 | 1160 | 30 | 79 | 8 | 3 | 1.0 | 659 | 16.4 | 10.8 | 8.4 |
| SLTD1-00558-4 | - | 5581 | 8872 | 951 | 2 | 1160 | 30 | 79 | 6 | 4 | 0.7 | 647 | 13.6 | 10.8 | 8.4 |
| SLTD1-00583-6 | 6334 | 5838 | 5700 | 611 | 1 | 870 | 30 | 73 | 8 | 6 | 1.0 | 712 | 16.4 | 10.8 | 8.4 |
| SLTD1-00616-3 | - | 6156 | 9888 | 1059 | 3 | 1160 | 30 | 79 | 8 | 3 | 1.0 | 685 | 16.4 | 10.8 | 8.4 |
| SLTD1-00633-4 | - | 6333 | 7635 | 818 | 1-1/2 | 1160 | 30 | 79 | 8 | 4 | 1.0 | 661 | 16.4 | 10.8 | 8.4 |
| SLTD1-00646-4 | - | 6459 | 8143 | 872 | 2 | 1160 | 30 | 79 | 8 | 4 | 1.0 | 685 | 16.4 | 10.8 | 8.4 |
| SLTD1-00712-4 | - | 7117 | 9462 | 1014 | 3 | 1160 | 30 | 79 | 8 | 4 | 1.0 | 710 | 16.4 | 10.8 | 8.4 |

* Capacity based on R717 refrigerant with either recirculated or flooded feed.

† Sound ratings are based on 6 feet from the unit and under free field conditions.

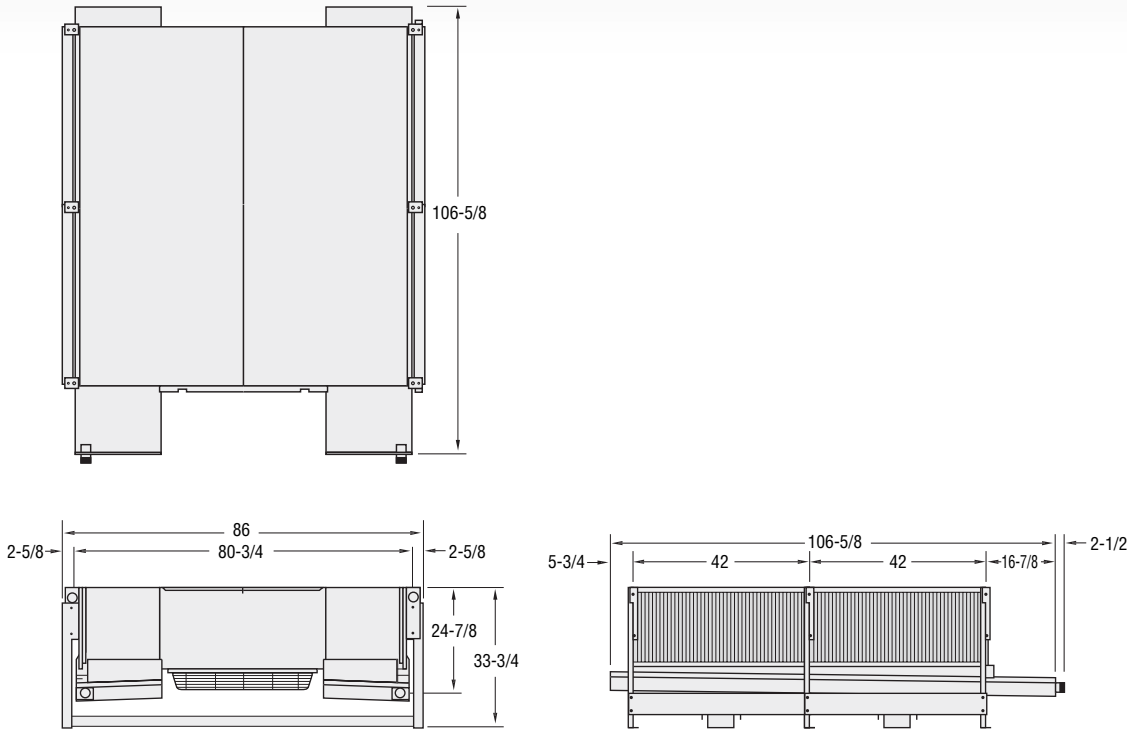


SLT

ALUMINUM

EVAPORATORS

Engineering Data



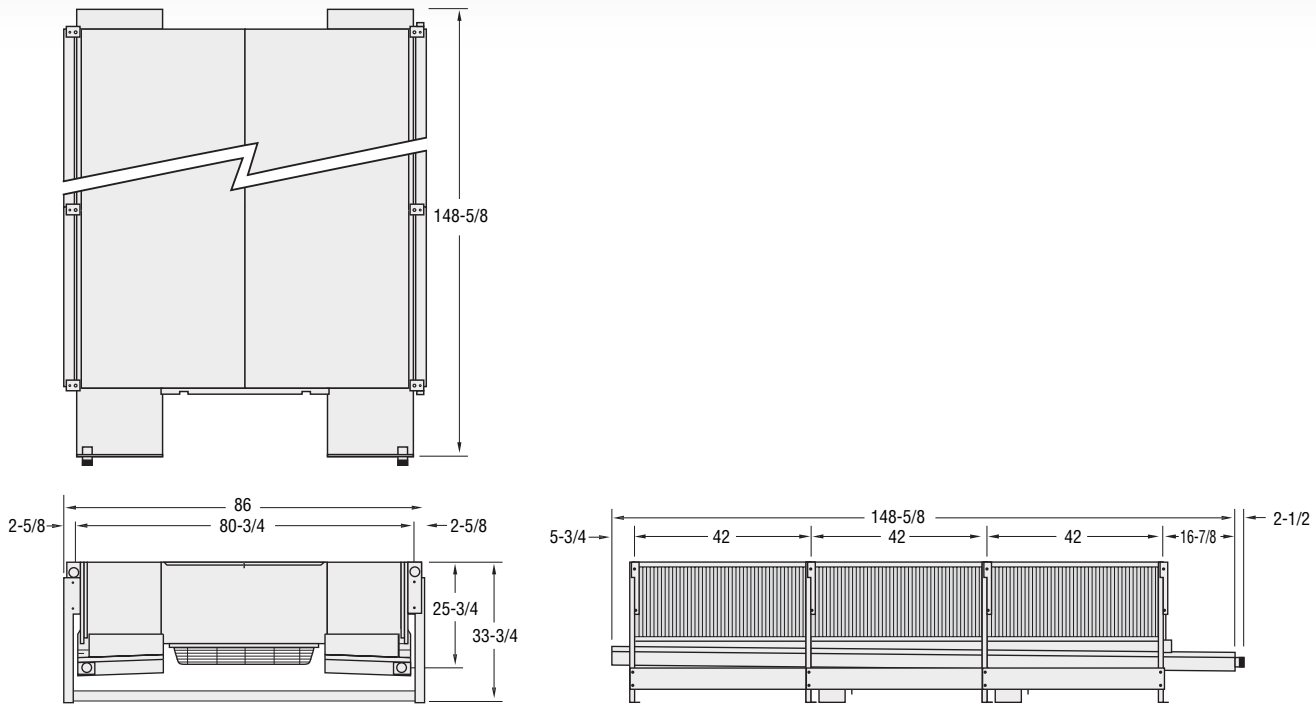
SLTD LOW PROFILE COOLERS — 2 FAN MODELS

| Model No. | Capacity* (Btu/HD) | | Airflow (CFM) | Velocity (FPM) | Fan Data | | | | Coil Data | | | Shipping Wt. (lbs.) | Electric Defrost (KW) | | |
|---------------|--------------------|---------|---------------|----------------|----------|------|------|------|-----------|-----|--------------|---------------------|-----------------------|--------|---------|
| | Wet | Frosted | | | Motor Hp | RPM | Dia. | dBA† | Rows Deep | fpi | Volume (ft³) | | Room Temp | | |
| | | | | | | | | | | | | | > or = -20°F | > +5°F | > +33°F |
| SLTD2-00700-3 | 7704 | 7003 | 11400 | 611 | 1/2 | 870 | 30 | 74 | 6 | 3 | 1.4 | 1006 | 24.4 | 19.3 | 15.4 |
| SLTD2-00795-3 | - | 7954 | 13919 | 746 | 1 | 870 | 30 | 76 | 6 | 3 | 1.4 | 1003 | 24.4 | 19.3 | 15.4 |
| SLTD2-00821-3 | 8906 | 8208 | 10803 | 579 | 1/2 | 870 | 30 | 74 | 8 | 3 | 1.9 | 1066 | 29.5 | 19.3 | 15.4 |
| SLTD2-00824-4 | 9060 | 8236 | 11159 | 598 | 1/2 | 870 | 30 | 74 | 6 | 4 | 1.4 | 1044 | 24.4 | 19.3 | 15.4 |
| SLTD2-00894-3 | - | 8936 | 16996 | 911 | 1-1/2 | 1160 | 30 | 82 | 6 | 3 | 1.4 | 1004 | 24.4 | 19.3 | 15.4 |
| SLTD2-00914-6 | 10059 | 9144 | 10585 | 567 | 1/2 | 870 | 30 | 74 | 6 | 6 | 1.4 | 1121 | 24.4 | 19.3 | 15.4 |
| SLTD2-00934-4 | - | 9341 | 13424 | 719 | 1 | 870 | 30 | 76 | 6 | 4 | 1.4 | 1041 | 24.4 | 19.3 | 15.4 |
| SLTD2-00939-3 | - | 9387 | 12923 | 692 | 1 | 870 | 30 | 76 | 8 | 3 | 1.9 | 1063 | 29.5 | 19.3 | 15.4 |
| SLTD2-00941-3 | - | 9414 | 18412 | 986 | 2 | 1160 | 30 | 82 | 6 | 3 | 1.4 | 1051 | 24.4 | 19.3 | 15.4 |
| SLTD2-00951-4 | 10318 | 9510 | 10466 | 561 | 1/2 | 870 | 30 | 74 | 8 | 4 | 1.9 | 1117 | 29.5 | 19.3 | 15.4 |
| SLTD2-01031-6 | 11197 | 10320 | 9744 | 522 | 1/2 | 870 | 30 | 74 | 8 | 6 | 1.9 | 1219 | 29.5 | 19.3 | 15.4 |
| SLTD2-01067-4 | - | 10673 | 16543 | 886 | 1-1/2 | 1160 | 30 | 82 | 6 | 4 | 1.4 | 1042 | 24.4 | 19.3 | 15.4 |
| SLTD2-01087-3 | - | 10868 | 15870 | 850 | 1-1/2 | 1160 | 30 | 82 | 8 | 3 | 1.9 | 1064 | 29.5 | 19.3 | 15.4 |
| SLTD2-01088-4 | - | 10876 | 12483 | 669 | 1 | 870 | 30 | 76 | 8 | 4 | 1.9 | 1114 | 29.5 | 19.3 | 15.4 |
| SLTD2-01116-4 | - | 11161 | 17747 | 951 | 2 | 1160 | 30 | 82 | 6 | 4 | 1.4 | 1089 | 24.4 | 19.3 | 15.4 |
| SLTD2-01116-3 | - | 11162 | 16974 | 909 | 2 | 1160 | 30 | 82 | 8 | 3 | 1.9 | 1111 | 29.5 | 19.3 | 15.4 |
| SLTD2-01168-6 | 12677 | 11684 | 11418 | 612 | 1 | 870 | 30 | 76 | 8 | 6 | 1.9 | 1216 | 29.5 | 19.3 | 15.4 |
| SLTD2-01230-3 | - | 12300 | 19768 | 1059 | 3 | 1160 | 30 | 82 | 8 | 3 | 1.9 | 1162 | 29.5 | 19.3 | 15.4 |
| SLTD2-01238-4 | - | 12377 | 15253 | 817 | 1-1/2 | 1160 | 30 | 82 | 8 | 4 | 1.9 | 1115 | 29.5 | 19.3 | 15.4 |
| SLTD2-01307-4 | - | 13073 | 16285 | 872 | 2 | 1160 | 30 | 82 | 8 | 4 | 1.9 | 1162 | 29.5 | 19.3 | 15.4 |
| SLTD2-01428-4 | - | 14280 | 18925 | 1014 | 3 | 1160 | 30 | 82 | 8 | 4 | 1.9 | 1213 | 29.5 | 19.3 | 15.4 |

* Capacity based on R717 refrigerant with either recirculated or flooded feed.

† Sound ratings are based on 6 feet from the unit and under free field conditions.

Engineering Data



SLTD LOW PROFILE COOLERS — 3 FAN MODELS

| Model No. | Capacity* (Btu/h/TD) | | Airflow (CFM) | Velocity (FPM) | Fan Data | | | | Coil Data | | | Shipping Wt. (lbs.) | Electric Defrost (KW) | | |
|---------------|-------------------------|---------|------------------|-------------------|-------------|------|------|------|--------------|-----|-----------------|------------------------|-----------------------|---------------------|---------|
| | Wet | Frosted | | | Motor Hp | RPM | Dia. | dBA† | Rows Deep | fpi | Volume (ft³) | | Room Temp | | |
| | | | | | | | | | | | | | >or=-20°F <or=+5°F | > +5°F <or=+33°F | > +33°F |
| SLTD3-01040-3 | 11440 | 10400 | 17191 | 614 | 1/2 | 870 | 30 | 76 | 6 | 3 | 2.1 | 1408 | 29.5 | 19.3 | 15.4 |
| SLTD3-01193-3 | - | 11930 | 20878 | 746 | 1 | 870 | 30 | 77 | 6 | 3 | 2.1 | 1404 | 35.4 | 27.9 | 22.4 |
| SLTD3-01232-3 | 13366 | 12319 | 16219 | 579 | 1/2 | 870 | 30 | 76 | 8 | 3 | 2.8 | 1497 | 42.8 | 27.9 | 22.4 |
| SLTD3-01242-4 | 13663 | 12421 | 16814 | 600 | 1/2 | 870 | 30 | 76 | 6 | 4 | 2.1 | 1466 | 35.4 | 27.9 | 22.4 |
| SLTD3-01342-3 | - | 13418 | 25499 | 911 | 1-1/2 | 1160 | 30 | 83 | 6 | 3 | 2.1 | 1405 | 35.4 | 27.9 | 22.4 |
| SLTD3-01371-6 | 15088 | 13717 | 15870 | 567 | 1/2 | 870 | 30 | 76 | 6 | 6 | 2.1 | 1581 | 35.4 | 27.9 | 22.4 |
| SLTD3-01405-3 | - | 14046 | 19380 | 692 | 1 | 870 | 30 | 77 | 8 | 3 | 2.8 | 1493 | 42.8 | 27.9 | 22.4 |
| SLTD3-01407-4 | - | 14070 | 20240 | 723 | 1 | 870 | 30 | 77 | 6 | 4 | 2.1 | 1462 | 35.4 | 27.9 | 22.4 |
| SLTD3-01412-3 | - | 14121 | 27617 | 986 | 2 | 1160 | 30 | 84 | 6 | 3 | 2.1 | 1467 | 35.4 | 27.9 | 22.4 |
| SLTD3-01426-4 | 15467 | 14255 | 15694 | 560 | 1/2 | 870 | 30 | 76 | 8 | 4 | 2.8 | 1574 | 42.8 | 27.9 | 22.4 |
| SLTD3-01538-6 | 16693 | 15385 | 14528 | 519 | 1/2 | 870 | 30 | 76 | 8 | 6 | 2.8 | 1727 | 42.8 | 27.9 | 22.4 |
| SLTD3-01601-3 | - | 16011 | 23805 | 850 | 1-1/2 | 1160 | 30 | 83 | 8 | 3 | 2.8 | 1494 | 42.8 | 27.9 | 22.4 |
| SLTD3-01601-4 | - | 16012 | 24814 | 886 | 1-1/2 | 1160 | 30 | 83 | 6 | 4 | 2.1 | 1463 | 35.4 | 27.9 | 22.4 |
| SLTD3-01632-4 | - | 16318 | 18723 | 669 | 1 | 870 | 30 | 77 | 8 | 4 | 2.8 | 1570 | 42.8 | 27.9 | 22.4 |
| SLTD3-01673-3 | - | 16727 | 25457 | 909 | 2 | 1160 | 30 | 84 | 8 | 3 | 2.8 | 1565 | 42.8 | 27.9 | 22.4 |
| SLTD3-01676-4 | - | 16760 | 26612 | 950 | 2 | 1160 | 30 | 84 | 6 | 4 | 2.1 | 1533 | 35.4 | 27.9 | 22.4 |
| SLTD3-01756-6 | 19060 | 17566 | 17146 | 612 | 1 | 870 | 30 | 77 | 8 | 6 | 2.8 | 1723 | 42.8 | 27.9 | 22.4 |
| SLTD3-01846-3 | - | 18461 | 29655 | 1059 | 3 | 1160 | 30 | 84 | 8 | 3 | 2.8 | 1641 | 42.8 | 27.9 | 22.4 |
| SLTD3-01852-4 | - | 18524 | 22869 | 817 | 1-1/2 | 1160 | 30 | 83 | 8 | 4 | 2.8 | 1571 | 42.8 | 27.9 | 22.4 |
| SLTD3-01945-4 | - | 19454 | 24428 | 872 | 2 | 1160 | 30 | 84 | 8 | 4 | 2.8 | 1641 | 42.8 | 27.9 | 22.4 |
| SLTD3-02137-4 | - | 21372 | 28381 | 1014 | 3 | 1160 | 30 | 84 | 8 | 4 | 2.8 | 1717 | 42.8 | 27.9 | 22.4 |

* Capacity based on R717 refrigerant with either recirculated or flooded feed.

† Sound ratings are based on 6 feet from the unit and under free field conditions.

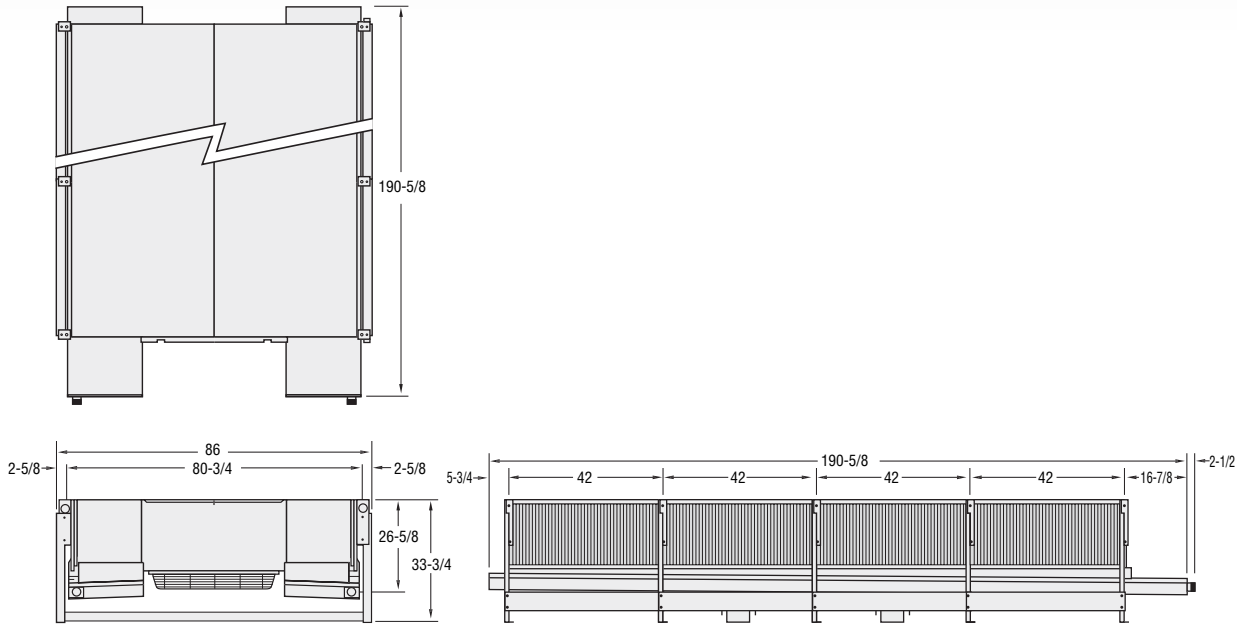


SLT

ALUMINUM

EVAPORATORS

Engineering Data



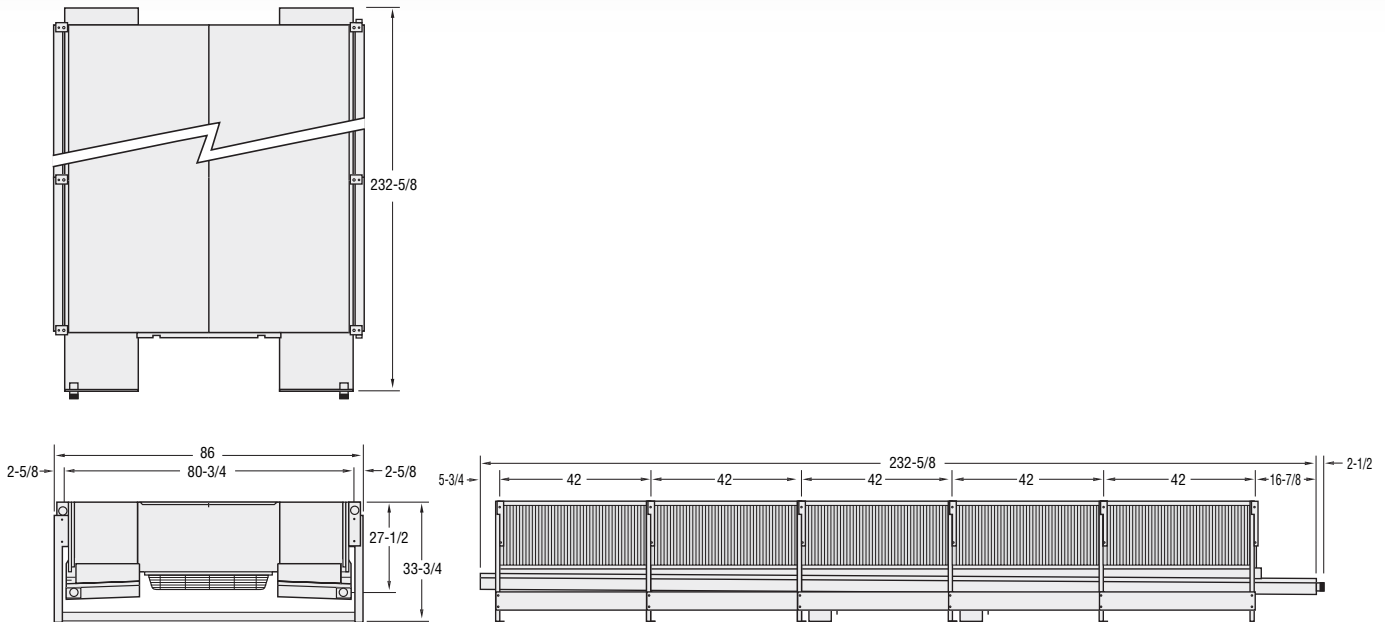
SLTD LOW PROFILE COOLERS — 4 FAN MODELS

| Model No. | Capacity* (Btuh/TD) | | Airflow (CFM) | Velocity (FPM) | Fan Data | | | | Coil Data | | | Shipping Wt. (lbs.) | Electric Defrost (KW) | | |
|---------------|---------------------|---------|---------------|----------------|----------|------|------|------|-----------|-----|--------------|---------------------|-----------------------|--------|---------|
| | Wet | Frosted | | | Motor Hp | RPM | Dia. | dBA† | Rows Deep | fpi | Volume (ft³) | | Room Temp | | |
| | | | | | | | | | | | | | > or = -20°F | > +5°F | > +33°F |
| SLTD4-01388-3 | 15271 | 13883 | 22931 | 614 | 1/2 | 870 | 30 | 77 | 6 | 3 | 2.7 | 1841 | 46.3 | 36.5 | 29.5 |
| SLTD4-01591-3 | - | 15911 | 27836 | 746 | 1 | 870 | 30 | 79 | 6 | 3 | 2.7 | 1835 | 46.3 | 36.5 | 29.5 |
| SLTD4-01646-3 | 17864 | 16465 | 21689 | 581 | 1/2 | 870 | 30 | 77 | 8 | 3 | 3.6 | 1958 | 56.2 | 36.5 | 29.5 |
| SLTD4-01653-4 | 18180 | 16527 | 22442 | 601 | 1/2 | 870 | 30 | 77 | 6 | 4 | 2.7 | 1918 | 46.3 | 36.5 | 29.5 |
| SLTD4-01791-3 | - | 17906 | 34001 | 911 | 1-1/2 | 1160 | 30 | 85 | 6 | 3 | 2.7 | 1837 | 46.3 | 36.5 | 29.5 |
| SLTD4-01824-6 | 20072 | 18247 | 21077 | 565 | 1/2 | 870 | 30 | 77 | 6 | 6 | 2.7 | 2071 | 46.3 | 36.5 | 29.5 |
| SLTD4-01860-3 | - | 18599 | 25850 | 692 | 1 | 870 | 30 | 79 | 8 | 3 | 3.6 | 1953 | 56.2 | 36.5 | 29.5 |
| SLTD4-01870-4 | - | 18704 | 26986 | 723 | 1 | 870 | 30 | 79 | 6 | 4 | 2.7 | 1912 | 46.3 | 36.5 | 29.5 |
| SLTD4-01881-3 | - | 18814 | 36832 | 987 | 2 | 1160 | 30 | 85 | 6 | 3 | 2.7 | 1931 | 46.3 | 36.5 | 29.5 |
| SLTD4-01981-4 | 21490 | 19806 | 20923 | 560 | 1/2 | 870 | 30 | 77 | 8 | 4 | 3.6 | 2060 | 56.2 | 36.5 | 29.5 |
| SLTD4-02056-6 | 22308 | 20561 | 19454 | 521 | 1/2 | 870 | 30 | 77 | 8 | 6 | 3.6 | 2265 | 56.2 | 36.5 | 29.5 |
| SLTD4-02130-4 | - | 21298 | 33091 | 886 | 1-1/2 | 1160 | 30 | 85 | 6 | 4 | 2.7 | 1913 | 56.2 | 36.5 | 29.5 |
| SLTD4-02176-4 | - | 21756 | 24962 | 669 | 1 | 870 | 30 | 79 | 8 | 4 | 3.6 | 2055 | 56.2 | 36.5 | 29.5 |
| SLTD4-02196-3 | - | 21963 | 31741 | 850 | 1-1/2 | 1160 | 30 | 85 | 8 | 3 | 3.6 | 1954 | 56.2 | 36.5 | 29.5 |
| SLTD4-02228-4 | - | 22283 | 35482 | 950 | 2 | 1160 | 30 | 85 | 6 | 4 | 2.7 | 2007 | 46.3 | 36.5 | 29.5 |
| SLTD4-02231-3 | - | 22306 | 33943 | 909 | 2 | 1160 | 30 | 85 | 8 | 3 | 3.6 | 2048 | 56.2 | 36.5 | 29.5 |
| SLTD4-02345-6 | 25446 | 23452 | 22903 | 613 | 1 | 870 | 30 | 79 | 8 | 6 | 3.6 | 2259 | 56.2 | 36.5 | 29.5 |
| SLTD4-02459-3 | - | 24590 | 39534 | 1059 | 3 | 1160 | 30 | 85 | 8 | 3 | 3.6 | 2150 | 56.2 | 36.5 | 29.5 |
| SLTD4-02509-4 | - | 25087 | 30506 | 817 | 1-1/2 | 1160 | 30 | 85 | 8 | 4 | 3.6 | 2056 | 56.2 | 36.5 | 29.5 |
| SLTD4-02591-4 | - | 25906 | 32570 | 872 | 2 | 1160 | 30 | 85 | 8 | 4 | 3.6 | 2150 | 56.2 | 36.5 | 29.5 |
| SLTD4-02855-4 | - | 28548 | 37837 | 1013 | 3 | 1160 | 30 | 85 | 8 | 4 | 3.6 | 2252 | 56.2 | 36.5 | 29.5 |

* Capacity based on R717 refrigerant with either recirculated or flooded feed.

† Sound ratings are based on 6 feet from the unit and under free field conditions.

Engineering Data



SLTD LOW PROFILE COOLERS — 5 FAN MODELS

| Model No. | Capacity* (Btu/h/TD) | | Airflow (CFM) | Velocity (FPM) | Fan Data | | | | Coil Data | | | Shipping Wt. (lbs.) | Electric Defrost (KW) | | |
|---------------|-------------------------|---------|------------------|-------------------|-------------|------|------|------|--------------|-----|------------------------------|------------------------|-----------------------|---------------------|---------|
| | Wet | Frosted | | | Motor Hp | RPM | Dia. | dBA† | Rows Deep | fpi | Volume (ft ³) | | Room Temp | | |
| | | | | | | | | | | | | | >or=-20°F <or=+5°F | > +5°F <or=+33°F | > +33°F |
| SLTD5-01734-3 | 19079 | 17345 | 28725 | 616 | 1/2 | 870 | 30 | 78 | 6 | 3 | 3.4 | 2260 | 57.3 | 45.1 | 36.6 |
| SLTD5-01993-3 | - | 19931 | 34796 | 746 | 1 | 870 | 30 | 80 | 6 | 3 | 3.4 | 2254 | 57.3 | 45.1 | 36.6 |
| SLTD5-02063-3 | 22380 | 20627 | 27206 | 583 | 1/2 | 870 | 30 | 78 | 8 | 3 | 4.5 | 2407 | 69.5 | 45.1 | 36.6 |
| SLTD5-02066-4 | 22728 | 20662 | 28052 | 601 | 1/2 | 870 | 30 | 78 | 6 | 4 | 3.4 | 2356 | 57.3 | 45.1 | 36.6 |
| SLTD5-02238-3 | - | 22376 | 42501 | 911 | 1-1/2 | 1160 | 30 | 86 | 6 | 3 | 3.4 | 2255 | 57.3 | 45.1 | 36.6 |
| SLTD5-02281-6 | 25099 | 22818 | 26366 | 565 | 1/2 | 870 | 30 | 78 | 6 | 6 | 3.4 | 2548 | 57.3 | 46.1 | 36.6 |
| SLTD5-02332-3 | - | 23315 | 32375 | 694 | 1 | 870 | 30 | 80 | 8 | 3 | 4.5 | 2400 | 69.5 | 45.1 | 36.6 |
| SLTD5-02352-3 | - | 23517 | 46040 | 987 | 2 | 1160 | 30 | 86 | 6 | 3 | 3.4 | 2373 | 57.3 | 45.1 | 36.6 |
| SLTD5-02359-4 | - | 23594 | 33732 | 723 | 1 | 870 | 30 | 80 | 6 | 4 | 3.4 | 2349 | 57.3 | 45.1 | 36.6 |
| SLTD5-02378-4 | 25798 | 23777 | 26151 | 560 | 1/2 | 870 | 30 | 78 | 8 | 4 | 4.5 | 2534 | 69.5 | 45.1 | 36.6 |
| SLTD5-02567-6 | 27855 | 25673 | 24269 | 520 | 1/2 | 870 | 30 | 78 | 8 | 6 | 4.5 | 2789 | 69.5 | 46.1 | 36.6 |
| SLTD5-02670-3 | - | 26702 | 39666 | 850 | 1-1/2 | 1160 | 30 | 86 | 8 | 3 | 4.5 | 2401 | 69.5 | 45.1 | 36.6 |
| SLTD5-02709-4 | - | 27088 | 41365 | 886 | 1-1/2 | 1160 | 30 | 86 | 6 | 4 | 3.4 | 2351 | 57.3 | 45.1 | 36.6 |
| SLTD5-02720-4 | - | 27197 | 31203 | 669 | 1 | 870 | 30 | 80 | 8 | 4 | 4.5 | 2527 | 69.5 | 45.1 | 36.6 |
| SLTD5-02788-3 | - | 27880 | 42433 | 909 | 2 | 1160 | 30 | 86 | 8 | 3 | 4.5 | 2519 | 69.5 | 45.1 | 36.6 |
| SLTD5-02791-4 | - | 27905 | 44352 | 950 | 2 | 1160 | 30 | 86 | 6 | 4 | 3.4 | 2469 | 57.3 | 45.1 | 36.6 |
| SLTD5-02930-6 | 31798 | 29307 | 28615 | 613 | 1 | 870 | 30 | 80 | 8 | 6 | 4.5 | 2783 | 69.5 | 46.1 | 36.6 |
| SLTD5-03074-3 | - | 30742 | 49418 | 1059 | 3 | 1160 | 30 | 86 | 8 | 3 | 4.5 | 2646 | 69.5 | 45.1 | 36.6 |
| SLTD5-03093-4 | - | 30935 | 38128 | 817 | 1-1/2 | 1160 | 30 | 86 | 8 | 4 | 4.5 | 2529 | 69.5 | 45.1 | 36.6 |
| SLTD5-03279-4 | - | 32793 | 40730 | 873 | 2 | 1160 | 30 | 86 | 8 | 4 | 4.5 | 2647 | 69.5 | 45.1 | 36.6 |
| SLTD5-03567-4 | - | 35667 | 47297 | 1014 | 3 | 1160 | 30 | 86 | 8 | 4 | 4.5 | 2774 | 69.5 | 45.1 | 36.6 |

* Capacity based on R717 refrigerant with either recirculated or flooded feed.

† Sound ratings are based on 6 feet from the unit and under free field conditions.



EVAPCO—Your ONE SOURCE FOR QUALITY REFRIGERATION SYSTEM COMPONENTS.

Evaporative Condensers



Induced Draft Models



Forced Draft Models



Critical Process Air Systems



Custom Recirculators & Vessels



Cooling Towers & Closed Circuit Coolers



Induced Draft Models



Forced Draft Models

Make-Up Air Systems



Horizontal & Vertical
Recirculators

EVAPCO, Inc. — World Headquarters & Research / Development Center

EVAPCO, Inc. ■ P.O. Box 1300 ■ Westminster, MD 21158 USA
PHONE: 410-756-2600 ■ FAX: 410-756-6450 ■ E-MAIL: marketing@evapco.com

EVAPCO North America

EVAPCO, Inc.
North American Headquarters
P.O. Box 1300
Westminster, MD 21158 USA
Phone: 410-756-2600
Fax: 410-756-6450
E-mail: marketing@evapco.com

EVAPCO East
5151 Allendale Lane
Taneytown, MD 21787 USA
Phone: 410-756-2600
Fax: 410-756-6450
E-mail: marketing@evapco.com

EVAPCO Midwest
1723 York Road
Greenup, IL 62428 USA
Phone: 217-923-3431
Fax: 217-923-3300
E-mail: evapcomw@evapcomw.com

EVAPCO West
1900 West Almond Avenue
Madera, CA 93637 USA
Phone: 559-673-2207
Fax: 559-673-2378
E-mail: contact@evapcowest.com

EVAPCO Iowa
925 Quality Drive
Lake View, IA 51450 USA
Phone: 712-657-3223
Fax: 712-657-3226

**EVAPCO Iowa
Sales & Engineering**
1234 Brady Boulevard
Owatonna, MN 55060 USA
Phone: 507-446-8005
Fax: 507-446-8239
E-mail: evapcomn@evapcomn.com

**Refrigeration Valves &
Systems Corporation**
A wholly owned subsidiary of EVAPCO, Inc.
1520 Crosswind Dr.
Bryan, TX 77808 USA
Phone: 979-778-0095
Fax: 979-778-0030
E-mail: rvs@rvscorp.com

McCormack Coil Company, Inc.
A wholly owned subsidiary of EVAPCO, Inc.
P.O. Box 1727
6333 S.W. Lakeview Boulevard
Lake Oswego, OR 97035 USA
Phone: 503-639-2137
Fax: 503-639-1800
E-mail: mail@mmccoil.com

EvapTech, Inc.
A wholly owned subsidiary of EVAPCO, Inc.
8331 Nieman Road
Lenexa, KS 66214 USA
Phone: 913-322-5165
Fax: 913-322-5166
E-mail: marketing@evaptechinc.com

Tower Components, Inc.
A wholly owned subsidiary of EVAPCO, Inc.
5960 US HWY 64E
Ramseur, NC 27316
Phone: 336-824-2102
Fax: 336-824-2190
E-mail: mail@towercomponentsinc.com

EVAPCO Europe

EVAPCO Europe, N.V.
European Headquarters
Industrieterrein Oost 4010
3700 Tongeren, Belgium
Phone: (32) 12-395029
Fax: (32) 12-238527
E-mail: evapco.europe@evapco.be

EVAPCO Europe, S.r.l.
Via Ciro Menotti 10
1-20017 Passirana di Rho
Milan, Italy
Phone: (39) 02-939-9041
Fax: (39) 02-935-00840
E-mail: evapcoeuropa@evapco.it

EVAPCO Europe, S.r.l.
Via Dosso 2
23020 Piateda Sondrio, Italy

EVAPCO Europe, GmbH
Bovert 22
D-40670 Meerbusch, Germany
Phone: (49) 2159-69560
Fax: (49) 2159-695611
E-mail: info@evapco.de

EVAPCO S.A. (Pty.) Ltd.
A licensed manufacturer of EVAPCO, Inc.
18 Quality Road
Isando 1600
Republic of South Africa
Phone: (27) 11 392-6630
Fax: (27) 11-392-6615
E-mail: evapco@evapco.co.za

Tiba Engineering Industries Co.
A licensed manufacturer of EVAPCO, Inc.
5 Al Nasr Road St.
Nasr City,
Cairo, Egypt
Phone: (20) 2-290-7483 / (20) 2-291-3610
Fax: (20) 2-404-4667 / (20) 2-290-0892
E-mail: manzgroup@tedata.net.eg

EVAPCO Asia/Pacific

**EVAPCO China
Asia/Pacific Headquarters**
1159 Luoning Rd., Baoshan Industrial Zone
Shanghai, P. R. China, Postal Code: 200949
Phone: (86) 21-6687-7786
Fax: (86) 21-6687-7008
E-mail: marketing@evapcochina.com

**Evapco (Shanghai) Refrigeration
Equipment Co., Ltd.**
1159 Louning Rd., Baoshan Industrial Zone
Shanghai, P.R. China
Postal Code: 200949
Phone: (86) 21-6687-7786
Fax: (86) 21-6687-7008
E-mail: marketing@evapcochina.com

**Beijing EVAPCO Refrigeration
Equipment Co., Ltd.**
Yan Qi Industrial Development District
Huai Rou County
Beijing, P.R. China
Postal Code: 101407
Phone: (86) 10 6166-7238
Fax: (86) 10 6166-7395
E-mail: evapcobj@evapcochina.com

Aqua-Cool Towers (Pty.) Ltd.
A licensed manufacturer of EVAPCO, Inc.
34-42 Melbourne St.
P.O. Box 436
Riverstone, N.S.W. Australia 2765
Phone: (61) 29 627-3322
Fax: (61) 29 627-1715
E-mail: sales@aquacoolingtowers.com.au

EVAPCO...SPECIALISTS IN HEAT TRANSFER PRODUCTS AND SERVICES.